



**ELECTRIC  
COOKERS  
WITH OVEN**

**INSTRUCTION FOR INSTALLATION AND USE  
DIE GEBRAUCHS UND INSTALLATIONSANWEISUNG  
NOTICE D'INSTALLATION ET D'EMPLOI  
NÁVOD K OBSLUZE A INSTALACI  
INSTRUKCJE MONTAŻU I OBSŁUGI**



**SPL 70/04 E, SPL 70/08 E, SPL 70/012 E, SPL 70/40 E, SPL 70/80 E, SPL 70/120 E,  
SPLT 70/80 11 E, SPLT 70/80 21 E, SPLT 70/120 21 E**





## **CONTENT**

Declaration of a standards conformity	3
Instruction for use	6
Cleaning and maintenance	8



## **INHALT**

Die Normenübereinstimmungsdeklaration	9
Gebrauchsanweisung	13
Die Reinigung und Instandhaltung	15



## **CONTENU**

Déclaration de conformité	16
Mode d'emploi	19
Nettoyage et entretien	21



## **OBSAH**

Prohlášení o souladu s normami	32
Návod k použití	37
Čistění a údržba	39



## **TREŚĆ**

Oświadczenie o zgodności z normami	40
Instrukcja obsługi	---
Czyszczenie i konserwacja	44

# DECLARATION OF A STANDARDS CONFORMITY

The producer confirms that the devices agree with 2014/30/EU, 2014/35/EU standards, rule nr. 117/2016 sb., 118/2016 sb. and with relevant government orders. Instalation must be done with respect to valid standards. Attention, the producer refuses any responsibility in case of direct or indirect damages which are caused due to wrong instalation, incorrect intervention or modification, insufficient maintenance, incorrect use and also possibly caused by other reasons presented by items in sale conditions. This appliance is set only for skilled use and must be operated by qualified persons only. Parts set and secured by the producer or accredited person must not be rebuilt by user.

## TECHNICAL DATA

Label with technical data is placed on the back side of the device. Study the electrical diagram of connection and all following information before instalation.

Model	Hotplates (kW)	Oven (kW)	Wattage (kW)	Voltage (V/Hz)	Dimension (mm)	Weight (kg)
SPL 70/04 E	2 x 2,5	-	5	400V / 3N	400 x 700 x 330	39
SPL 70/08 E	4 x 2,5	-	10	400V / 3N	800 x 700 x 330	74
SPL 70/012 E	6 x 2,5	-	15	400V / 3N	1200 x 700 x 330	109
SPL 70/40 E	2 x 2,5	-	5	400V / 3N	400 x 700 x 910	51
SPL 70/80 E	4 x 2,5	-	10	400V / 3N	800 x 700 x 910	90
SPL 70/120 E	6 x 2,5	-	15	400V / 3N	1200 x 700 x 910	129
SPLT 70/80 11 E	4 x 2,5	3,13	13,13	400V / 3N	800 x 700 x 910	120
SPLT 70/80 21 E	4 x 2,5	6,3	16,3	400V / 3N	800 x 700 x 910	126
SPLT 70/120 21 E	6 x 2,5	6,3	21,3	400V / 3N	1200 x 700 x 910	173

## PACKING AND DEVICE CHECK

The device leaves our stocks properly packed with appropriate symbols and labels. There are also appropriate instructions for use. In case the packing shows bad handling or damage, it must be reclaimed at transporter immediately by writing and signing of a damage protocol.

Important notice:

-This product is only intended for use inside.

Never use the appliance if it has a damaged supply cable or plug, if it is not working correctly, has fallen to the ground and been damaged or fallen into water. In such cases take the appliance to a professional service in order to verify that it is safe and works correctly.

- only for professional use
- this instructing guide must be read properly and carefully because it contains important information about safety elements, installation, use
- these recommendations refer to this product
- this product corresponds with valid standards
- this guide must be properly deposited for future use
- keep the children away from manipulation with the product
- when selling or moving the product to another place it is necessary top make yourself sure that the staff or the professional service has got acquainted with control and installation instructions from enclosed guide
- only authorised person can operate the product
- it can not be switched on without supervision
- we recommend to have the product checked by professional service min. once a year
- only original spare parts can be used for repairs
- the product can not be cleaned by the water jet or pressure shower
- by damage or break down disconnect all the feeders (water, gas, electricity) and call professional service
- producer refuses any responsibility in case of damages caused by wrong installation, by disobserving of above mentioned recommendations or by other use etc.

## **PLACEMENT**

The device must be installed in well ventilated room what is necessary for regulation of the function of the device (technician must go by valid standard (EN....). If the device is situated close to the wall or if it is in contact with the furniture walls, these walls must resist the temperatures ranging to 90°C. Installation, setting, putting into operation must be done by qualified person who is competent for this and according to the valid standards.

Wrap up the device and check whether it was not damaged during transport. Settle the device on horizontal surface (max imbalance 2°).Settle the device under the fumehood to eliminate water steam and bad smell. The device can be installed separately or in a set with devices of our production. Min. distance 10 cm from other subjects must be kept.It is also necessary to prevent our product from contact with combustible materials. In this case you must make corresponding changes to secure heat izolation of combustible parts. Safety measures from the standpoint of the fire protection according to EN 061008čl. 21:

## **TECHNICAL INSTRUCTIONS FOR INSTALATION AND REGULATION**

### **Important:**

The manufacturer does not provide warranty for defects caused by improper use, failure to instructions contained in the attached instructions for use and mistreatment of the appliances.

Installation, adjustment and repair of appliances for kitchens, as well as their removal because of possible damage to the gas can be carried out only under a maintenance contract, this contract may be signed with an authorized dealer, and must be complied with regulations and technical standards and regulations regarding the installation, power supply, gas connection and health & safety system.

These instructions are intended for the qualified technician who must perform the installation, put it into operation and test the appliance.

Any activity as settings, placement, rebalancing etc, must be made only when is device disconnected from electricity. If it is necessary to have the device connected to the electricity you must keep the highest attention to avoid any injuries.

### **DEVICE INSTALATION**

Installation, setting, rebuilding for another gas type, putting into operation must be done by qualified person who is competent for this and according to the valid standards. The device can be installed in good ventilated room. When it is possible place the device under the fumehood to suck off the products of combustion. Air needy to the burning is 2m<sup>3</sup>/h/kW of the performance of the installed device. The device can be installed separately or in a set with devices of our production. Min. distance 10 cm from other subjects must be kept.It is also necessary to prevent our product from contact with combustible materials. In this case you must make corresponding changes to secure heat izolation of combustible parts (for example:place between the device and combustible material azbestos plate).

# SAFETY MEASURES FROM THE STANDPOINT OF THE FIRE PROTECTION ACCORDING TO EN 061008 ČL. 21

- only adults can operate the device
- device must be safely used in common surroundings according to EN 332000-4-462; EN 332000-4-42. You must switch the gas device off under the circumstances leading: to the danger of the temporary rise of the combustion gas or steam or during works when there is a big possibility of rise of the temporary fire danger or explosion (for example: to stick linoleum, PVC etc.).
- before you start to instal the device you must get the licence for connection to the gas feeder from the gasworks
- device must be placed so as to stand or hang on the noncombustible surface which is on each side 10 cm larger than the device. No subjects from combustible materials can be placed directly on the device or in distance which is shorter than safety distance (the shortest distance is 50 cm in the direction of the heat emission and 10 cm in other directions).- safety distances from various materials of different degree of combustion and information about the degree of comb. of common building materials - see chart:

## Chart:

Combustion degree of building materials classified according to the combustion degree of materials and products (EN 730823)

A noncombustible	granit, sandstone, concretes,bricks, ceramic wallfacing tiles, plaster
B uneasily combustible	akumine, heraklite, lihnos, itavere
C1 hardly combustible	leafy wood, plywood, sirkoklit, rare paper formica
C2 middle combustible	fibreboards, solodure, cork boards, rubber,floor-coverings
C3 easily combustible	wood-fibreboards, polystyrene,polyurethane, PVC

Devices must be instalated in a safe way. When instaling you must respect corresponding project, safety and hygienic orders according to:

- EN 061008 fire protection of local devices and sources of heat
- EN 332000 (33 2000-4-482; 33 2000-4-42) surrounding for electric devices ČSN EN 1775 Gas supplying
- Gas fi ttings in the buildings - the highest operational pressure < 5 bar - operation demands
- § 10 law nr. 185/2001 Sb. about waste

## CONNECTION OF THE ELECTRIC CABLE TO THE ELECTRICITY

Instalation of electric feeder - This feeder must be separetely protected by a safety fuse according to the specific electric stream which depends on the wattage of the instaled device. Check the wattage on the label at the back of the device. Connect the device directly to the electricity but you must put the switch between the device and electric net. The switch must be placed in min. distance 3 mm between the particular contacts according to the standards and loading. The feeder of grounding (yellow-green) cannot be interrupted by this switch. In every case feeding cable must be placed so that no point of the cable will reach the temperature which is 50°C higher than the temperature of the surrounding. Before connecting the device check that:

- safety fuse of the feeder and inner mains can stand the loading of the device (see label of the matrix)
- mains are equipped with effective grounding according to standards (ČSN) and conditions given by law
- socket or switch of the feed is well accessible from device

We refuse any responsibility in case of not respecting above mentioned rules. Before the first use it is necessary to remove all the protection foil and to clean the device - see chapter „cleaning and maintenance“.

Maintenance: We recommend to have the device checked once a year by the proffesional service. Only qualified or competent persons can do interventions in the product.

-  -Do not insert the power cable plug into the el. socket and do not pull it out of the el. socket with wet hands or by pulling on the cable!
- Do not use extension cables or power strips.

# INSTRUCTIONS FOR USE

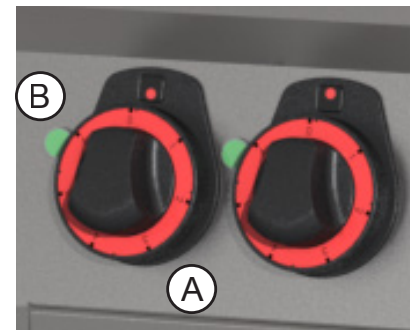
Attention! Before the first use of the device you must remove protection foil from all surfaces and wash the device with moist cleaning cloth dipped in the water with detergent. Than dry it with cloth.

The first switching on device must be performed in a well ventilated room. The "burning of plates" (turn on full power) takes about 30 minutes. After these 30 minutes the device is ready for operation.

Turn the knob (A) and adjust required performance. Pilot lamp (B) will light. Pilot lamp (B) lights when the device is connected to the electricity and switched on. Switch the device off by turning the knob (A) into position „0“.

## MAINTENANCE

We recommend to have the device checked once a year by the professional service. Only qualified or competent persons can do interventions in the product. Comments and recommendation. Use the device only under supervision.



## Control of the electric oven

### Control of the electric oven (STATIC)

You can choose to switch the control knob into select position for top and bottom heaters at the same time (position 1), or just the bottom heater (position 3) or upper heater (position 2). This is indicated by green LED. Set the control knob into desired temperature. Working heater is indicated by orange LED, when light goes off, the oven is preheated to the requested temperature. Turn off the oven by turning both knobs to „0“.

### Control of the convection oven

Turn the control knob to the right, will turn on the fan. This is signaled with a green LED. After that, set the control knob into desired temperature. Working of the heater is indicated by orange LED, when light goes off, the oven is preheated to the desired temperature. Turn off the oven by turning left into the "0".

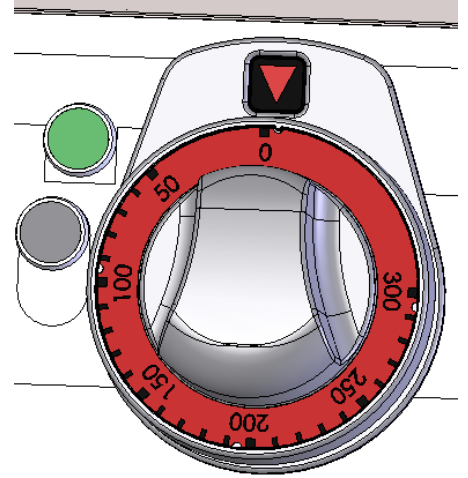
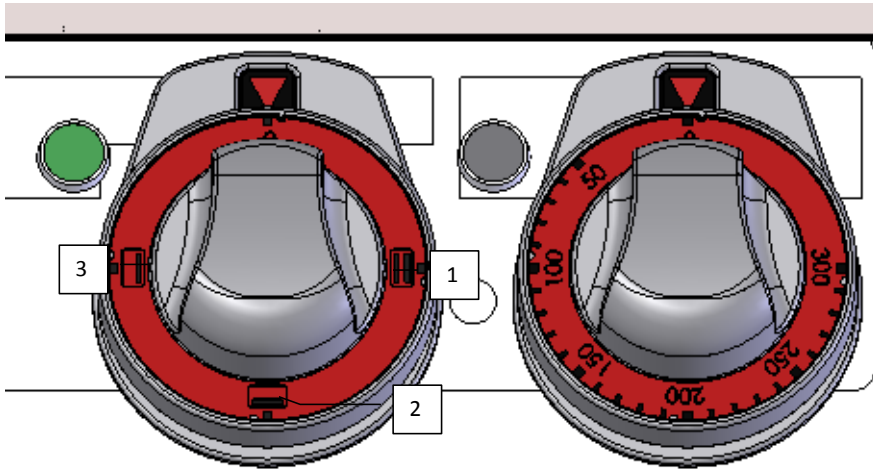
*You can also clean the area beneath the hotplates. There is space around the hotplates, which enables residue to be swept into the equipment. After they have cooled the hotplates are lifted and placed on the upper panel to enable access to the bath in which the hotplates are situated. The residue is then swept out through the opening, which leads into the drawer. This drawer is then removed, the residue emptied and the drawer returned to its place. The drawer is slides out from the front of the equipment (the face)"*

# CONTROLS

Switcher of static oven

Regulation knob of static oven

Regulation knob of convection oven



## **CLEANING AND MAINTENANCE**

ATTENTION! The device cannot be cleaned by direct or pressure water. Clean it daily. Daily maintenance keeps longer useful life and efficiency of the device. Before cleaning make sure to have disconnected the device from electricity. Always switch off the main feeder to the device. Stainless parts wash with moist cleaning cloth and non abrasive detergent than dry it by the cloth. Do not use abrasive and corrosive detergents. All food residues must be removed from the surface, you can use scraper.

**!!! YOU MUST LUBRICATE THE TOP WITH VEGETABLE OIL AFTER EACH CLEANING !!!**

### **WHAT TO DO IN CASE OF BREAK-DOWN**

Switch off the electric feeder and call seller's professional service.

### **INDICATION**

Guarantee does not cover all consumption parts succumable to common wear (rubber seals, bulbs, glass and plastic parts etc.). The guarantee does not refer to the devices which were not installed in correspondence with instructions - by qualified worker, in conformity with standards and when somebody handled incompetently the device (interventions into inner equipment) or the device was operated by non qualified staff or at variance with instructions for use. Guarantee does not also cover the damages caused due to influence of nature or other outer intervention.



## DIE NORMENÜBEREINSTIMMUNGSDEKLARATION

Der Produzent erklärt, daß die Geräte in einer Übereinstimmung mit den Vorschriften der 2014/35/EU, 2014/30/EU dem Gesetz Nr. 118/2016 sb., 117/2016 sb. der Sammlung und zugehörigen Regierungsverordnungen stehen. Die Installation muss mit der Absicht auf geltende Normen durchgeführt werden. Vorsicht, im Falle einer direkten oder indirekten Beschädigung, die sich auf falsche Installation, unrichtigen Eingriff oder Anpassungen, ungenügende Instandhaltung, unrichtige Verwendung beziehen, und welche eventuell durch andere Ursachen, als in Punkten der Verkaufsbedingungen angeführt ist, so verzichtet der Importeur auf jegliche Verantwortung. Dieses Gerät ist nur für fachliche Verwendung bestimmt und muß durch qualifizierte Person bedient werden. Teile, die nach der Einstellung durch den Hersteller oder durch befugte Person gesichert wurden, dürfen vom Benutzer keineswegs umgestellt werden.

## DIE TECHNISCHEN DATEN

Das Schild mit technischen Angaben ist auf der Rückseite des Gerätes angebracht. Studieren sie vor der Installation das elektrische Schema der Einschließung und alle folgende Informationen durch.

Model	Platte (kW)	Backofen (kW)	Anschlusswert (kW)	Spannung (V/Hz)	Abmessungen (mm)	Masse (kg)
SPL 70/04 E	2 x 2,5	-	5	400V / 3N	400 x 700 x 330	39
SPL 70/08 E	4 x 2,5	-	10	400V / 3N	800 x 700 x 330	74
SPL 70/012 E	6 x 2,5	-	15	400V / 3N	1200 x 700 x 330	109
SPL 70/40 E	2 x 2,5	-	5	400V / 3N	400 x 700 x 910	51
SPL 70/80 E	4 x 2,5	-	10	400V / 3N	800 x 700 x 910	90
SPL 70/120 E	6 x 2,5	-	15	400V / 3N	1200 x 700 x 910	129
SPLT 70/80 11 E	4 x 2,5	3,13	13,13	400V / 3N	800 x 700 x 910	120
SPLT 70/80 21 E	4 x 2,5	6,3	16,3	400V / 3N	800 x 700 x 910	126
SPLT 70/120 21 E	6 x 2,5	6,3	21,3	400V / 3N	1200 x 700 x 910	173

## **DIE VERPACKUNGS-, UND VORRICHTUNGSKONTROLLE**

Die Vorrichtung verlässt unsere Lager in ordentlicher Verpackung, auf deren die entsprechenden Symbole und Bezeichnungen stehen. In der Verpackung befindet sich entsprechende Bedienungsanweisung. Falls die Verpackung eine schlechte Behandlung oder Anzeichen der Beschädigungen vorweist, muß dieses sofort beim Transporteur reklamiert werden und zwar durch Unterzeichnung eines Schadensprotokolles.

### **Wichtige Hinweise**

-Das Erzeugnis ist nur zur Verwendung im Innenraum bestimmt.

Verwenden Sie den Verbraucher nie, wenn die Speisenzuleitung oder der Stecker beschädigt sind, das Gerät nicht richtig arbeitet, ist auf den Boden gefallen und hat sich beschädigt oder ist ins Wasser gefallen. Bringen Sie in solchen Fällen den Verbraucher zu einem Fach-Kundendienst zur Überprüfung seiner Sicherheit und richtiger Funktion.

- Nur für professionellen Verbrauch geeignet
- Diese Bedienungsanleitung muss ordentlich und bedächtig gelesen werden, weil sie wichtige Informationen über Sicherheitsmerkmale, Installation und Anwendung beinhaltet
- Diese Empfehlungen beziehen auf diesen Produkt
- Der Produkt entspricht geltenden Normen
- Diese Anleitung muß ordentlich für die zukünftige Verwendung hinterlegt werden
- Hindern Sie den Kinder an Vorrichtungsm Manipulation
- Beim Verkauf oder Verlegung ist es notwendig sich zu überzeugen, daß die Bedienstperson oder Fachservis sich mit der Beherrschung und Installationsanweisung in beiliegender Anleitung, anvertraut gemacht haben.
- Das Produkt darf nur eingeschulte Bedienung bedienen
- Das Produkt darf nicht ohne Aufsicht ins Betrieb gesetzt sein
- Es ist empfohlen, minimal einmal pro Jahr eine Fachkontrolle durchführen zu lassen
- Bei eventueller Reparatur der Teilenumtauschungen müssen ausschließlich Originalteile angewendet werden
- Das Produkt darf nicht durch einen Wasserstrahl oder Druckbrause gereinigt werden
- Schalten Sie alle Leitungen (Wasser, Elektrizität, Gas) bei einer Störung oder beim schlechten Lauf aus und rufen Sie autorisierten Service an
- Der Hersteller verzichtet auf jegliche Verantwortung bei Störungen, die durch fehlerhafte Installation, Nichteinhaltung o.a. Empfehlungen, andere Verwendung u.ä, verursacht wurden

## **DIE PLATZIERUNG**

Es ist unbedingt notwendig, zu der Regulation der Gerätetätigkeit, daß das Milieu - der Küche -, wo das Gerät installiert wird, sehr gut belüftbar ist (im Hinblick darauf: sei der Techniker sich mit geltenden Normen (EN) richtet). Wenn die Einrichtung so plaziert wird, daß sie im Mobiliarwandkontakt stehen wird, so müssen diese einer Temperatur von 90°C widerstehen. Die Installation, Herrichtung, Inbetriebnahme müssen durch qualifizierte Person, die zu solchen Vorkehrungen eine Befugnis hat und dies laut geltenden Normen nach, durchgeführt werden.

Packen Sie das Gerät aus und kontrollieren Sie , ob sich das Gerät während des Transportes nicht beschädigt hat. Platzieren Sie das Gerät auf eine waagrechte Fläche (maximale Unebenheit bis 2°). Stellen Sie das Gerät unter den Haubenabzug, damit Sie die Wasserdämpfe und den Geruch eliminieren. Das Gerät kann selbständig oder in einer Reihe mit Geräten unserer Herrstellung installiert werden. Es ist notwendig die minimale Entfernung von 10 cm zu anderen Gegenständen einzuhalten, so dass die Wärmeisollierung der brennbaren Teilen gewährleistet wird.

Das Gerät kann selbständig oder in einer Reihe mit Geräten unserer Herrstellung installiert werden. Es ist notwendig die minimale Entfernung von 10 cm zu anderen Gegenständen einzuhalten, so dass die Wärmeisollierung der brennbaren Teilen gewährleistet wird.

# TECHNISCHE HINWEISE ZUR INSTALLATION UND REGELUNG

## Wichtig:

Zur Benützung AUSSCHLIEßLICH nur für spezialisierte Techniker  
Instruktionen, die folgen, wenden sich an den Techniker, der für die Installation qualifiziert ist, damit er alle Operationen mit der korrektesten Weise und laut der gültigen Normen durchführt.

## Wichtig

Jeweils irgendeine Tätigkeit, die mit der Regulation verbunden ist u.ä, muß nur mit der aus dem Netz ausgezogenen und abgeschalteten Einrichtung vollgezogen sein.

Solange das Gerät unter der Spannung notwendig zu halten ist, eine höchste Vorsicht zu beachten vorliegt.

## **DIE SICHERHEITSVORRICHTUNGEN AUS DER SICHT DES FEUER-SCHUTZES LAUT EN. 061008 ČL. 21**

Die Einrichtungsbedienung dürfen nur Erwachsene ausführen

- Das Gerät darf sicher in gewöhnlicher Umgebung laut EN 332000-4-482; EN 332000-4-42 verwendet werden.
- Es ist notwendig das Gerät so platzieren, daß es auf einer unbrennbaren Grundlage steht oder hängt.
- Es dürfen, auf und in eine Entfernung, die kleineremase als sicher vom Gerät bezeichnet wird, keine Gegenstände aus brennbaren Materilien (die kleinste Entfernung vom Brennbarem ist 10 cm) aufgestellt werden.
- Die sicheren Entfernungen von Massen der einzelnen Brenngra

## Tabelle:

Baumassefeuernbrennggrad ins Brennggrad (EN) der Massen und Produkte eingegliedert

A	Unbrennbar	Granit, Sandstein, beton, Ziegel, Keramikbekleidung, Putz
B	nicht einfach brennbar	Akumin, Heraklit, Lihnos, Itaver
C1	schwer brennbar	Holz, Laubbaum, Furnier Sirkoklit, Festpapier, Umakart
C2	mittel brennbar	Holzspanplatten, Solodur, Korkplatten, Hartgummi, Bodenbeläge
C3	leicht brennbar	Holzfaserplatten, Polystyren, Polyureten, PVC

Die Bedarfsartikel müssen sicher installiert werden und sind mit regulierenbaren Beinchen - zur Ausgleichen der Höhe und der Unebenheiten eingestattet.

Die Geräte müssen in einer sicheren Weise installiert werden. Bei der Installation müssen weiter betreffende Projekt-, Sicherheits-, und Hygienevorschriften respektiert werden.

- EN 06 1008 Feuerschutz der örtlichen Geräte und der Wärmquellen
- EN 33 2000 (33 2000-4-482; 33 2000-4-42) Umgebung für elektrische Geräte
- Gasversorgung -Gasleitungen in Gebäuden - Höchste Verkehrsdruck  $\leq 5$  BarVerkehrsansprüche,
- § 10 des Gesetzes Nr.185/2001 Sb., der Abfälle betrifft.

## **DER ELEKTRISCHE KABELNETZANSCHLUSS**

Die Installation der elektrischen Ankupplung - Diese Zuleitung muß selbstständig gesichert werden. Und das durch entsprechende Sicherung des Nennstromes in der Abhängigkeit am Anschlußwert des installierten Gerätes. Kontrollieren sie den Anschlußwert des Apparates auf dem Produktionsschild im Hinterteil des Gerätes. Schließen Sie das Gerät direkt ans Netz an.

Es ist unbedingt notwendig zwischen das Gerät und das Netz einen Schalter zu legen, der eine minimale Entfernung von 3mm unter den Einzelkontakten aufweist und der auch den geltenden Normen und Belastungen entspricht. Die Erdungszuleitung (gelbgrün) darf nicht durch diesen Schalter unterbrochen sein.

Der Zuleitungskabel muß in jedem Fall so angebracht sein, dass er in keinem Punkt einer um 50°C höherer Temperatur als Umgebungstemperatur nicht erreicht. Eher das Gerät ans Netz angeschlossen wird, versichern Sie sich, dass:

- die Zuleitungssicherung und die Innenscheidung die Einrichtungsbelastung ertragen (siehe Matriceschild),
- die Verteilung mit wirksamer Erdung laut Normen (EN) und Gesetzbedingungen ausgestattet ist

**WIR VERZICHTEN AUF JEDLICHE VERANTWORTUNG IM FALLE, DASS DIESE NORMEN NICHT RESPEKTIERT WERDEN UND IM FALLE DER NICHEINHALTUNG DER OBENERWÄHNTER GRUNDSÄTZE.**

Es ist notwendig die Schutzfolie vor der ersten Benützung zu beseitigen, sowie das Gerät zu reinigen siehe das Kapitel „Reinigung und Instandshaltung“.



- Führen Sie den Stecker der Speisezuleitung in die el. Steckdose und ziehen ihn aus der el. Steckdose mit nassen Händen und durch Ziehen der Speisezuleitung nicht!
- Verwenden Sie keine Verlängerungskabel oder Kombisteckdosen.

## BEDIENUNGSANLEITUNG

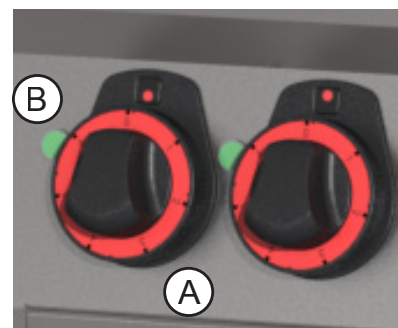
### Vorsicht!

Bevor Sie das Gerät verwenden werden, ist es notwendig ihn gut mit feuchtem Lappen abzuwaschen. Lassen Sie nie das Gerät ohne Aufsicht im Betrieb.

Drehen Sie mit dem Beherrschenrädchen (A) und stellen Sie die verlangte Temperatur ein. Die Kontrollleucht (B) wird scheinen. Die Kontrolllampe (B) scheint, wenn das Gerät unter Elektrostrom steht. Das Gerät schalten Sie so aus, wenn Sie das Beherrschenrädchen (A) in die Lage „0“ umdrehen.

### INSTANDSHALTUNG

Es ist empfohlen mindestens einmal pro Jahr das Gerät durch einen fachlichen Servicedienst warten zu lassen. Alle Eingriffe in das Gerät darf nur eine qualifizierte Person durchführen, die zu solchen Handlungen eine Befugnis besitzt.



## CONTROLLING DER STATISCHEN OFEN

Sie können den Regler in ausgewählte Positionen Schalter für oberen und unteren Heizkörper zur gleichen Zeit (Position 1), oder einfach nur die Bodenheizung (Position 3) oder obere Heizung (Position 2). Dies wird durch grüne LED angezeigt. Stellen Sie den Regler in die gewünschte Temperatur. Arbeiten Heizung durch orange LED, wenn das Licht erlischt angegeben ist, wird der Ofen auf die gewünschte Temperatur vorgeheizt. Schalten Sie den Ofen durch Drehen der beiden Knöpfe auf „0“.

## CONTROLLING DER UMLUFTOFEN

Drehen Sie den Regler nach rechts drehen, wird auf dem Ventilator einzuschalten. Dies wird durch eine grüne LED signalisiert. Danach stellen Sie den Drehknopf in die gewünschte Temperatur. Arbeiten der Heizung wird durch die orange LED, wenn das Licht erlischt angedeutet, wird der Ofen auf die gewünschte Temperatur vorgeheizt. Schalten Sie den Ofen nach links in die „0“ nach links.

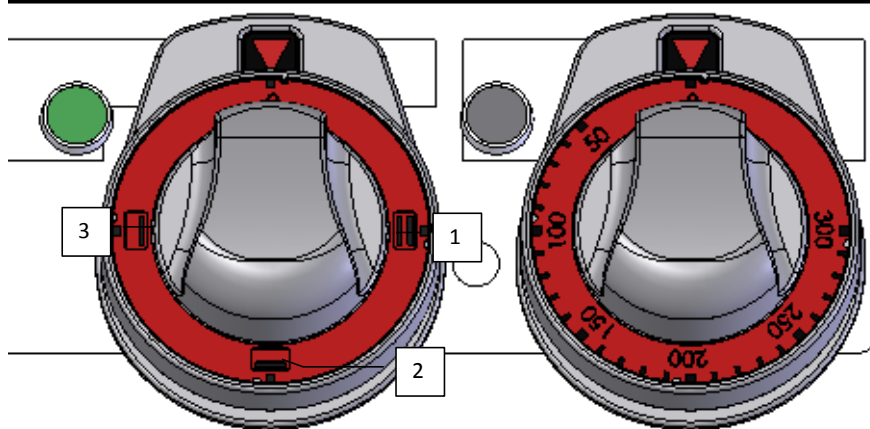
**Achtung!:-Bei eingeschaltetem Backofen darf dessen Tür nicht offen bleiben, da sonst die Drehknöpfe überhitzt und beschädigt werden könnten.**

*Gereinigt werden kann auch der Bereich unter den Herdplatten. Rund um die Herdplatten ist ein Raum, welcher es ermöglicht, Schmutzrückstände nach innen zu fegen, wobei die Herdplatten nach dem Abkühlen erfasst und auf die obere Platte so abgelegt werden, dass Zugang zur Wanne besteht, in der sich die Herdplatten befinden. Die Schmutzpartikel werden durch die Öffnung gefegt, die in die Schublade mündet. Diese Schublade wird anschließend herausgezogen, indem der Schmutz entfernt und die Schublade an ihren Ort zurückgegeben wird. Die Schublade wird von der Vorderseite (Stirnseite) der Einrichtung aus herausgeschoben.“*

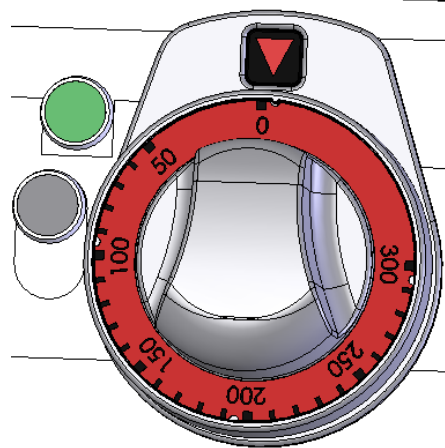
# KONTROLLEN

Switcher von statischen Ofen

Verordnung Knopf statischer Backofen



Verordnung Knopf Heißluftofen



## **INSTANDSHALTUNG**

Es ist empfohlen mindestens einmal pro Jahr das Gerät durch einen fachlichen Servicedienst warten zu lassen. Alle Eingriffe in das Gerät darf nur eine qualifizierte Person durchführen, die zu solchen Handlungen eine Befugnis besitzt.

**!!! Nach jedem Reinigungsaustrüstung nötig ist, die Oberfläche der Arbeitsplatte mit Pflanzenööl!!!**

### **Bemerkunge und Empfehlunge**

Benützen Sie das Gerär nur unter ständigen Aufsicht.

## **DIE REINIGUNG UND INSTANDSHALTUNG**

ACHTUNG! Die Einrichtung darf nicht mit Direkt-, oder Druckwasserstrahl gereinigt werden. Reinigen Sie das Gerät täglich. Die Lebensdauer und Gerätewirkung wird durch die tägliche Wartung gewährleistet. Überzeugen Sie sich, vorm Reinigungsanfang, dass Sie die Einrichtung vom Elektrostrom abgeschaltet haben. Schalten Sie immer die Gerätehauptzufuhr ab. Waschen Sie die Edeltahteile mit feuchtem Waschlappen, der im Waschpulver getauft ist und keine grobe Teilchen aufweist. Wischen Sie alles ins Trockene ab. Verwenden Sie keine abrasive- oder korrosionsreiche Reinigungsmitteln. Alle Speisenreste müssen von der Arbeitsplatte beiseitigt werden. Sie könnem eine Spachtel benützen. Nach jeder Gerätereinigung müssen Sie die Grillplatten mit Pflanzenöl aufreiben.

### **WIE MAN IM FALLE EINER STÖRUNG VORANGEHEN SOLL**

Schalten sie die elektrische Stromleitung ab und rufen die Serviceorganisation des Verkäufers an.

# DÉCLARATION DE CONFORMITÉ

Le fabricant certifie la conformité des appareils aux normes 2014/30/EU, 2014/35/EU à la loi n° 117/2016 sb., 17/2003 sb. et aux décrets applicables. L'installation doit être effectuée dans le respect des normes en vigueur. Attention: le fabricant décline toute responsabilité en cas de dommages, directs ou indirects, causés par une mauvaise installation, par une utilisation, des interventions ou des modifications impropres, par un entretien insuffisant, ainsi qu'en cas de dommages dérivant des causes mentionnées dans les conditions de vente. L'appareil objet de la présente notice est prévu pour un usage professionnel, aussi son utilisation doit-elle être confiée à un personnel possédant les compétences nécessaires à cet effet. L'utilisateur ne doit procéder à aucune intervention ni à aucune modification sur les parties réglées et protégées par le fabricant ou autre personnel autorisé à cet effet.

## CARACTÉRISTIQUES TECHNIQUES

L'étiquette sur laquelle figurent les caractéristiques techniques est apposée sur la partie postérieure de l'appareil. Avant de procéder à l'installation, prendre connaissance du schéma électrique et de toutes les informations que contient la présente notice.

Model	Plaques (kW)	Avec four (kW)	Puissance (kW)	Tension (V/Hz)	Dimensions (mm)	Poids (kg)
SPL 70/04 E	2 x 2,5	-	5	400V / 3N	400 x 700 x 330	39
SPL 70/08 E	4 x 2,5	-	10	400V / 3N	800 x 700 x 330	74
SPL 70/012 E	6 x 2,5	-	15	400V / 3N	1200 x 700 x 330	109
SPL 70/40 E	2 x 2,5	-	5	400V / 3N	400 x 700 x 910	51
SPL 70/80 E	4 x 2,5	-	10	400V / 3N	800 x 700 x 910	90
SPL 70/120 E	6 x 2,5	-	15	400V / 3N	1200 x 700 x 910	129
SPLT 70/80 11 E	4 x 2,5	3,13	13,13	400V / 3N	800 x 700 x 910	120
SPLT 70/80 21 E	4 x 2,5	6,3	16,3	400V / 3N	800 x 700 x 910	126
SPLT 70/120 21 E	6 x 2,5	6,3	21,3	400V / 3N	1200 x 700 x 910	173

## CONTROLE DE L'EMBALLAGE ET DE L'APPAREIL

En vue de son transport, l'appareil quitte les établissements du fabricant parfaitement emballé (sur l'emballage sont apposés les étiquettes et les symboles nécessaires à cet effet). L'emballage contient également la notice des instructions d'utilisation. Dans le cas où l'emballage présenterait des dommages ainsi que dans le cas où il s'avérerait qu'il a été manipulé sans les précautions nécessaires, il est impératif d'adresser sans attendre une déclaration au transporteur en y joignant une acceptation de la marchandise sous réserve.

### Recommandation importante:

-Le produit est destiné uniquement à un usage intérieur.

N'utilisez jamais cet appareil si le cordon ou la fiche sont endommagés, si l'appareil fait défaut, s'il a été échappé ou endommagé ou immergé. Dans ce cas, retournez cet appareil au centre service autorisé pour examen.

- Pour usage professionnel seulement
- La présente notice des instructions d'utilisation et d'entretien contient d'importantes informations relatives à la sécurité, à l'installation et à l'utilisation; il est nécessaire d'en effectuer attentivement la lecture.
- Les recommandations se réfèrent à l'appareil objet de la présent notice.
- L'appareil est conforme aux normes en vigueur.
- Veiller à bien conserver la notice de telle sorte qu'elle puisse être consultée à tout moment en cas de besoin.
- Ne pas laisser des enfants s'approcher de l'appareil durant son utilisation.
- Pendant la vente ou après le déménagement de l'appareil vérifier que le personnel lise attentivement la présente notice d'utilisation
- L'appareil ne peut être utilisé que par le personnel instruit
- L'appareil ne peut être laissé en marche sans surveillance
- Il est recommandé de faire l'appareil contrôler au moins une fois par an dans un service spécialisé
- Ne pas utiliser que des pièces détachées originelles.
- En cas de défaut ou de mavaise fonction, débrancher l'appareil (eau, gaz, électricité) et appeler un service spécialisé
- Le fabricant décline toute responsabilité en cas de dommages, directs ou indirects, causés par une mauvaise installation, utilisation , etc



## **LA LOCATION**

Le local dans lequel l'appareil est installé doit être bien ventilé. Si l'appareil doit toucher le parois, celui-ci doit résister à la chaleur de 90°C au minimum. L'installation, le réglage et la mise en marche doivent être effectués par une personne qualifiée ayant une autorisation nécessaire selon les normes en vigueur.

Déballer l'appareil et vérifiez s'il n'était pas endommagé pendant le transport. Placez l'appareil sur une surface horizontale (pente maximale de 2°). Placez l'appareil sous une hotte pour éliminer la vapeur et mauvaise odeur.

L'appareil peut être installé seul ou en série avec d'autres appareils de notre fabrication. Il faut respecter la distance minimale de 10 cm entre l'appareil et d'autres objets ainsi qu'éviter le contact avec les matériaux inflammables. Dans ce cas il faut prévoir les arrangements nécessaires pour assurer la protection des parties inflammables.

## **INSTRUCTIONS TECHNIQUES POUR INSTALLATION ET REGLEMENT**

### **Important:**

Le fabricant ne fournit pas de garantie pour les défauts causés par l'usage, tout manquement impropre aux instructions contenues dans les instructions ci-jointes pour l'utilisation et aux mauvais traitements des appareils.

Installation, réglage et réparation d'appareils pour les cuisines, ainsi que leur élimination en raison de dommages possibles au gaz peut être effectuée qu'en vertu d'un contrat de maintenance, ce contrat peut être signé avec un distributeur agréé, et doivent être conformes à la réglementation technique et normes et réglementations concernant l'installation, l'alimentation, de raccordement de gaz et de la santé et la sécurité du système.

Ces instructions sont destinées au technicien qualifié qui doit effectuer l'installation, le mettre en marche et tester l'appareil.

Toute activité en tant que paramètres, le placement, le rééquilibrage etc, doit être faite que lorsqu'il est périphérique déconnecté de l'électricité. Si il est nécessaire d'avoir le périphérique connecté à l'électricité, vous devez garder la plus grande attention afin d'éviter toute blessure.

# MÉSURES DE SÉCURITÉ POUR LA PROTECTION CONTRE INCENDIE SELON EN 06 1008 ARTICLE 21:

- l'appareil ne peut être utilisé que par des personnes majeures
- l'appareil peut être utilisé dans un espace ordinaire selon EN 332000-4-482; 332000-4-42
- l'appareil doit être placé ou suspendu d'une manière stable sur une surface ininflammable

Il est interdit de placer sur l'appareil ou dans la distance inférieure à 10 cm de l'appareil des objets inflammables.

- les distances de sécurité pour les matériaux inflammables selon leurs degré d'inflammabilité et les informations sur l'inflammabilité des matériaux de construction – voir le tableau

## Tableau:

degré d'inflammabilité d'un matériel de construction (EN 730823)

A ininflammables	granit, grès, béton, briques, carrelage céramique, enduit
B difficilement inflammables	acumin, héraclite, lihnos, itaver
C1 mal inflammables	bois des arbres feuillus, contre-plaqué, papier durci, umakart
C2 inflammabilité moyenne	aggloméré, solodur, liège, caoutchouc, revêtements
C3 inflammabilité facile	planches de fibre de bois, polystyrène, polyurethane, PVC

L'appareil doit être installé d'une manière sûre. Pour l'ajustage de l'appareil est ce-ci procuré des pieds réglables.

- EN 06 1008 protection contre incendie des consommateurs d'énergie locaux et des émetteurs de chaleur
- EN 33 2000 (33 2000-4-482; 33 2000-4-42) le milieu pour les appareil électriques

## BRANCHEMENT ÉLECTRIQUE

Installation de prise de courant – La prise de courant doit avoir un coupe-circuit indépendant en dépendance de puissance fournie de l'appareil. Vérifiez la puissance de l'appareil sur la plaque des caractéristiques techniques.

Branchez l'appareil directement au réseau, il faut mettre un interrupteur entre le réseau et l'appareil, son ouverture de contacts étant 3 mm au minimum. Câble de terre (vert-jaune) ne peut pas être interrompu par cet interrupteur. En tout cas, le câble de prise de courant doit être placé de telle manière que sa température ne dépasse jamais la température du milieu de plus que 50°C. Avant le branchement au réseau, s'assurer que :

- le coupe-circuit et distribution intérieure peuvent endurer la charge de l'appareil (voir la plaque)
- la mise à la terre fonctionne selon les normes en vigueur (EN) et selon la loi
- la prise ou l'interrupteur de circuit sont faciles d'accès

Le fabricant rénonce à toute responsabilité en cas que les normes ne seront pas respectés ainsi qu'en cas de dérogation des règles mentionnés ci-haut.

**Avant la première utilisation**, il faut retirer le film de protection et nettoyer l'appareil – voir chapitre « nettoyage et entretien ».

## Entretien:

Il est recommandé de faire contrôler l'appareil dans un service spécialisé au moins une fois par an. Toutes les interventions peuvent être effectuées seulement par une personne qualifiée ayant une autorisation pour ces interventions.

## DESCRIPTION DE L'USAGE

Attention !

Avant la première utilisation, il faut laver l'appareil à l'aide d'un torchon humide et d'un détergent. Rincer et sécher.

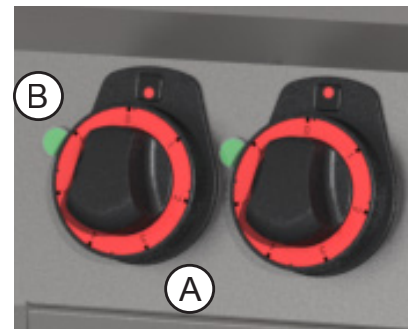
Avant la 1ère mise en route retirer la feuille de protection. Nettoyer toutes les surfaces à l'aide d'un chiffon doux, d'eau tiède et d'un détergent, de façon à éliminer les produits antirouille appliqués durant la fabrication et essuyer ensuite l'appareil à l'aide d'un chiffon propre.

### OBSERVATIONS ET RECOMMANDATIONS

Tournez le bouton de réglage (A) afin d'ajuster la puissance démodée. Le voyant vert (B) va être allumé. Le voyant vert (B) est allumé si l'appareil est sous tension. Pour débrancher l'appareil retournez le bouton de réglage (A) à la position "0".

### MAINTENANCE

Il est conseillé de faire contrôler l'appareil au moins une fois par an par un eservice spécialisé. Tous les interventions dans l'appareil peuvent être effectuées uniquement par une personne qualifiée, possédante l'autorisation à telles opérations.



## CONTRÔLE DE LA FOUR STATIQUE

Vous pouvez basculer le contrôleur dans des positions choisies pour la partie supérieure et inférieure des éléments chauffants dans le même temps (position 1), ou chauffage par le sol tout simplement (position 3) ou de chauffage supérieure (position 2). Ceci est indiqué par la LED verte. Tournez le bouton à la température désirée. Installations de chauffage par LED orange lorsque la lumière s'éteint est spécifié, le four est préchauffé à la température désirée. Éteindre le four en tournant les boutons à „0“.

## CONTRÔLE DE L'ÉTUVE À AIR

Tournez, tournez le bouton vers la droite, tournez le ventilateur. Ceci est indiqué par une LED verte. Puis tournez le bouton à la température désirée. Travail du chauffage se fait par la LED orange indique quand la lumière s'éteint, le four est préchauffé à la température désirée. Allumez le four vers la gauche dans le „0“ à la gauche.

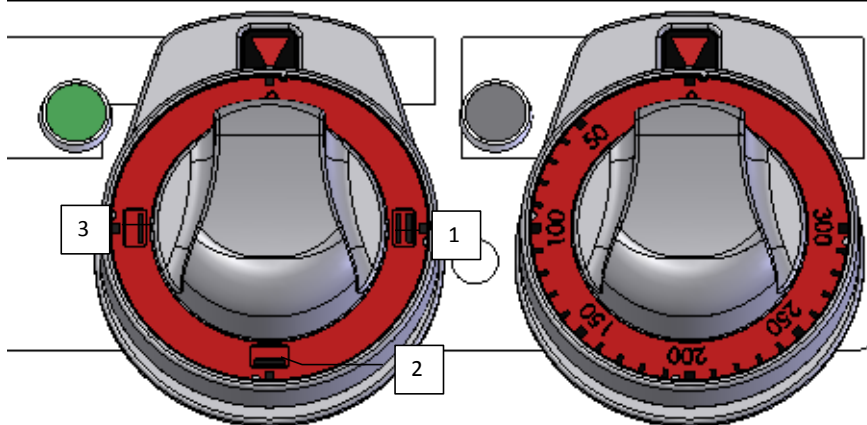
**Attention!:** Lorsque le four est allumé, la porte ne doit en aucun cas rester ouverte pour ne pas risquer de chauffer et d'endommager les commandes.

*L'espace sous les plaques peut également être nettoyé. Les plaques sont entourées d'un espace qui permet de pousser les saletés à l'intérieur de l'équipement. Après refroidissement, les plaques peuvent être retirées et posées sur le plateau supérieur pour permettre l'accès au bac dans lequel les plaques sont installées. Les saletés sont ensuite évacuées par l'orifice qui donne dans un tiroir. Ce tiroir peut être retiré pour le vider, puis remis en place. Le tiroir se retire depuis la face avant (frontale) de l'équipement*

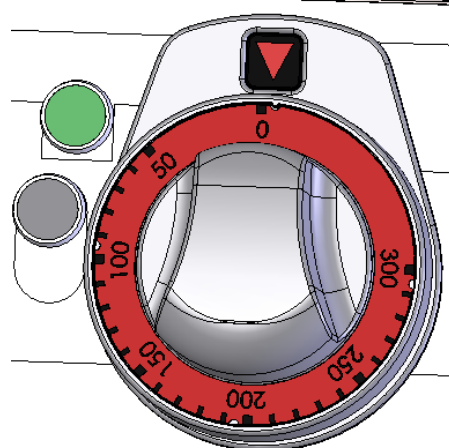
# CONTRÔLES

Switcher par four statique

Règlement bouton four statique



Règlement bouton Four à convection



## **NETTOYAGE ET ENTRETIEN**

ATTENTION! Le nettoyage au jet d'eau ou sous pression n'est pas autorisé.

Nettoyer l'appareillage tous les jours. Le nettoyage quotidien prolonge la durée de service et l'efficacité d'appareillage. Avant d'effectuer toute entretien, il faut débrancher l'appareil du réseau électrique. Les parties en inox doivent être nettoyées avec un chiffon humide, à l'aide d'un détergent liquide, non abrasif et ensuite être bien essuyées. Pour éliminer les reliefs du plan de travail, il est possible d'utiliser une spatule.

### **Comment procéder en cas d'une panne**

Débrancher la prise du cordon secteur et contacter le service après-vente du revendeur.

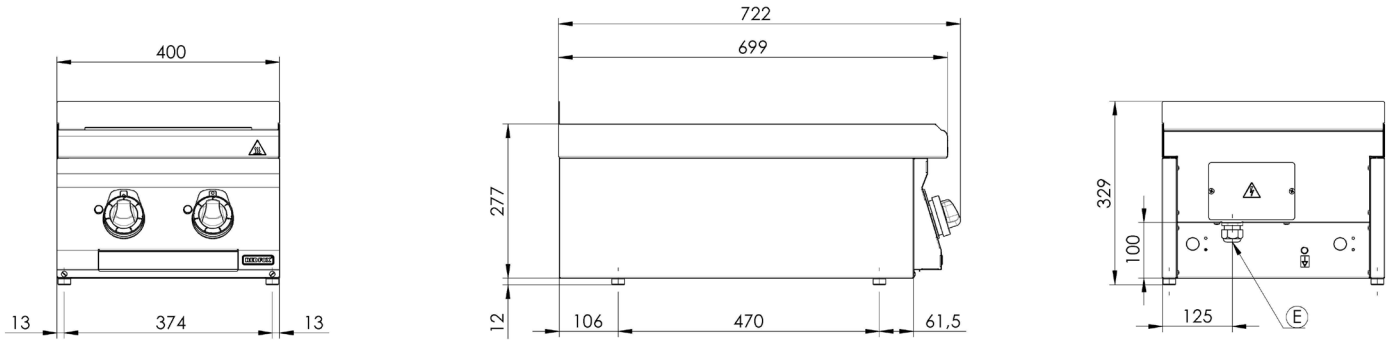
## **MAINTENANCE**

Il est conseillé de faire contrôler l'appareil au moins une fois par an par un service spécialisé. Tous les interventions dans l'appareil peuvent être effectuées uniquement par une personne qualifiée, possédant l'autorisation à telles opérations

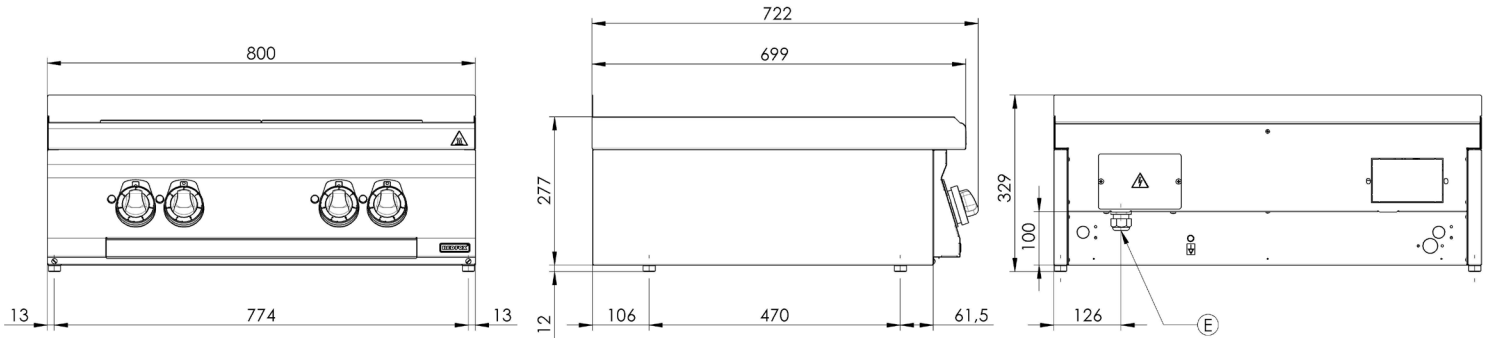
**!!! AFIN D'ÉVITER LA FORMATION DE ROUILLE, IL FAUT TRAITER LA SURFACE AVEC UNE HUILE VÉGÉTALE APRÈS CHAQUE NETTOYAGE !!!!!**

# DIMENSION PLANS / MASSSKIZZEN / DIMENSIONS

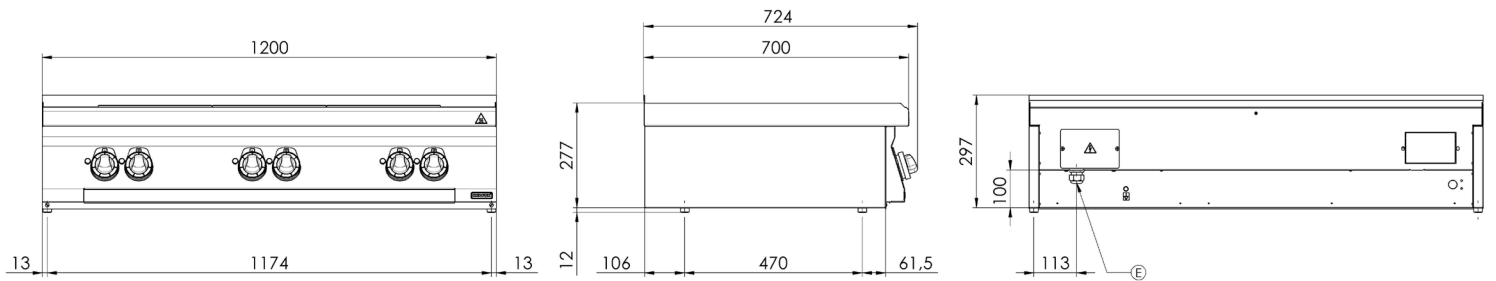
## SPL 70/04 E



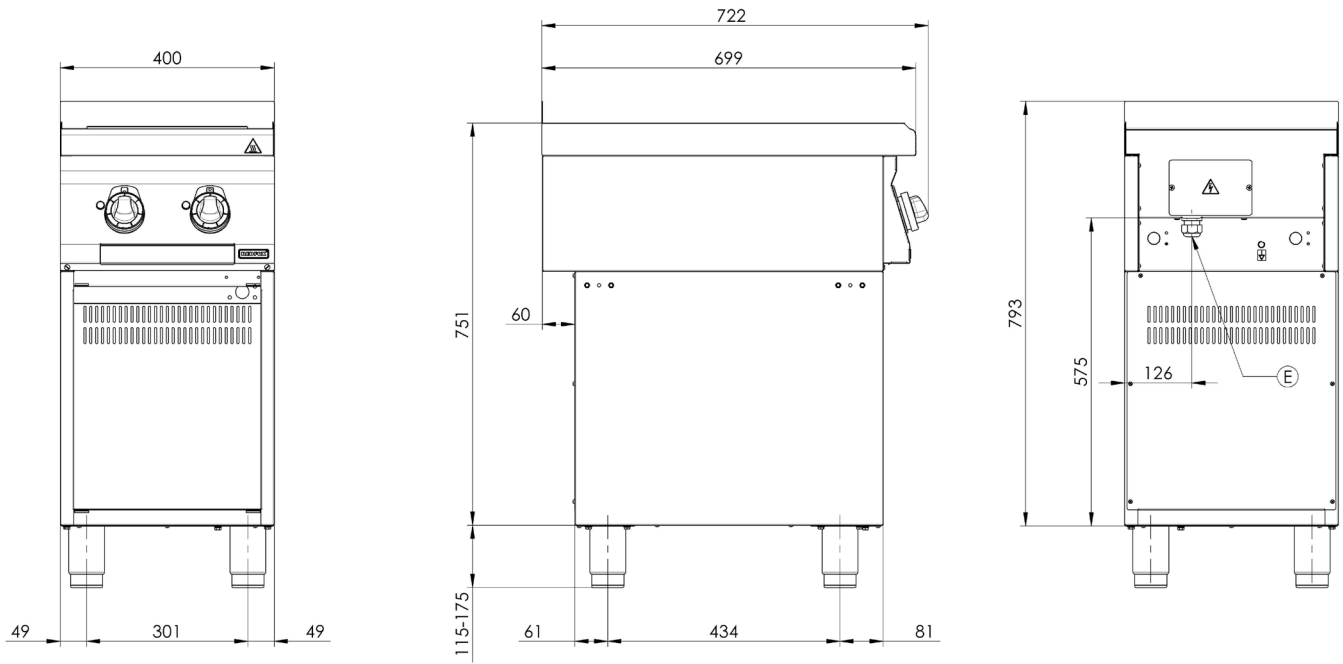
## SPL 70/08 E



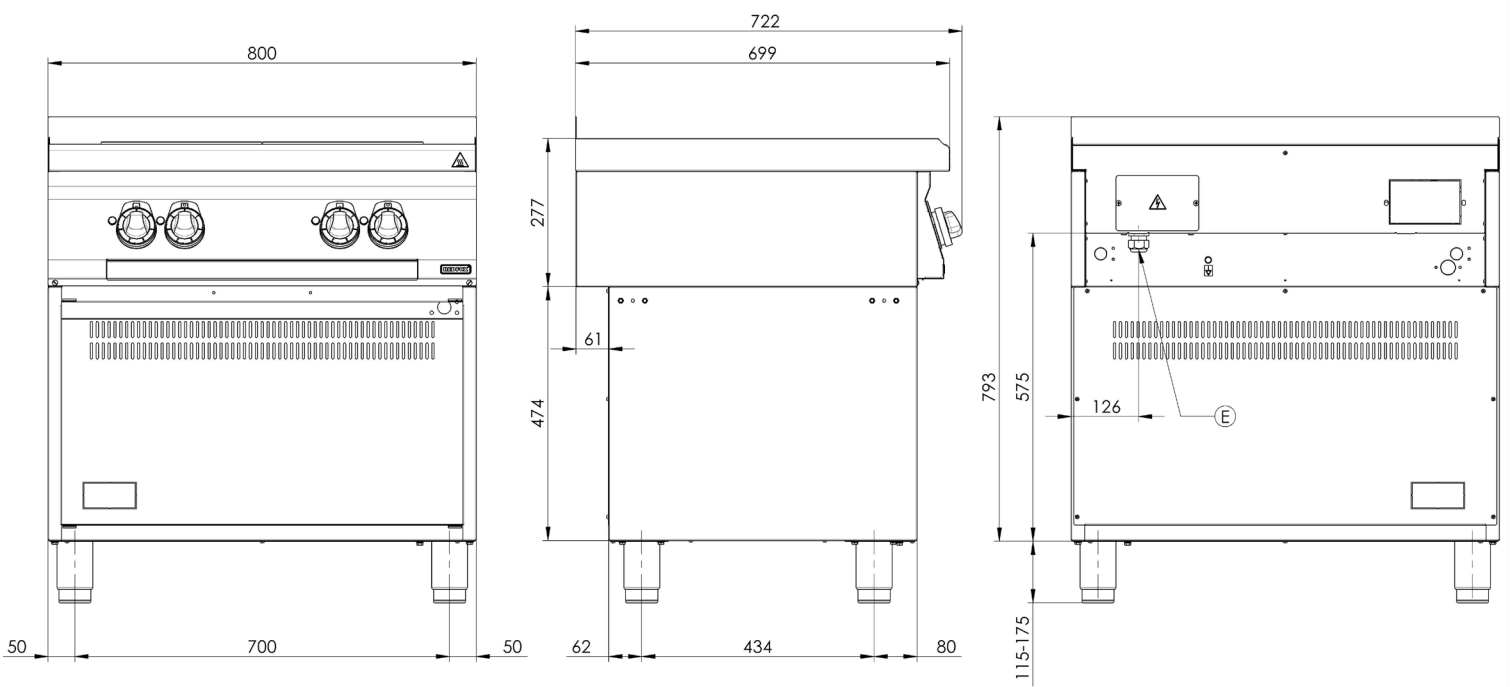
## SPL 70/012 E



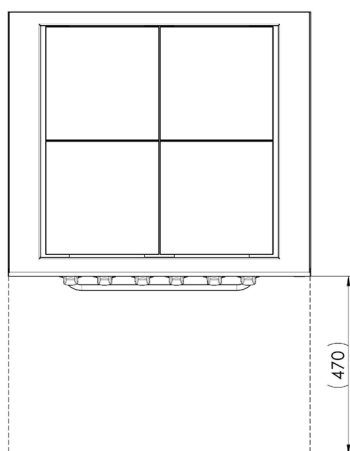
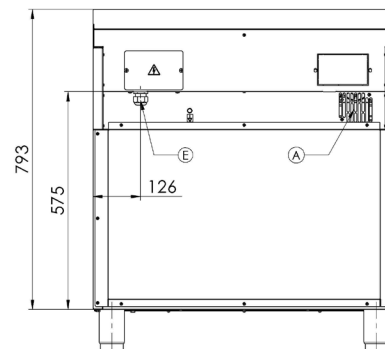
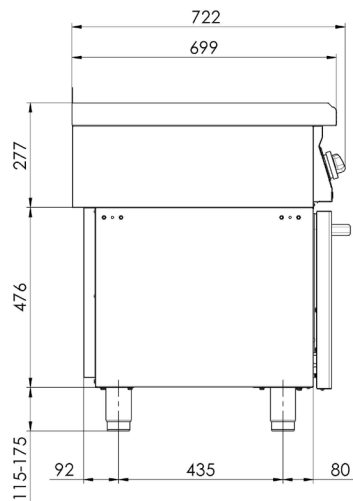
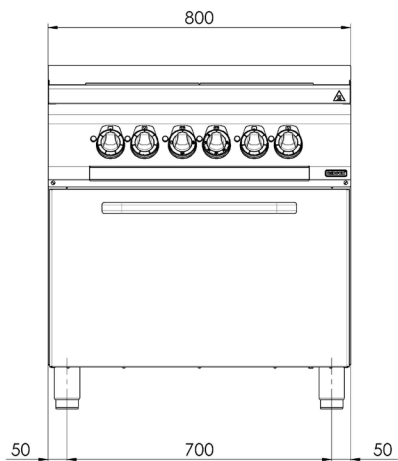
# SPL 70/40 E



# SPL 70/80 E



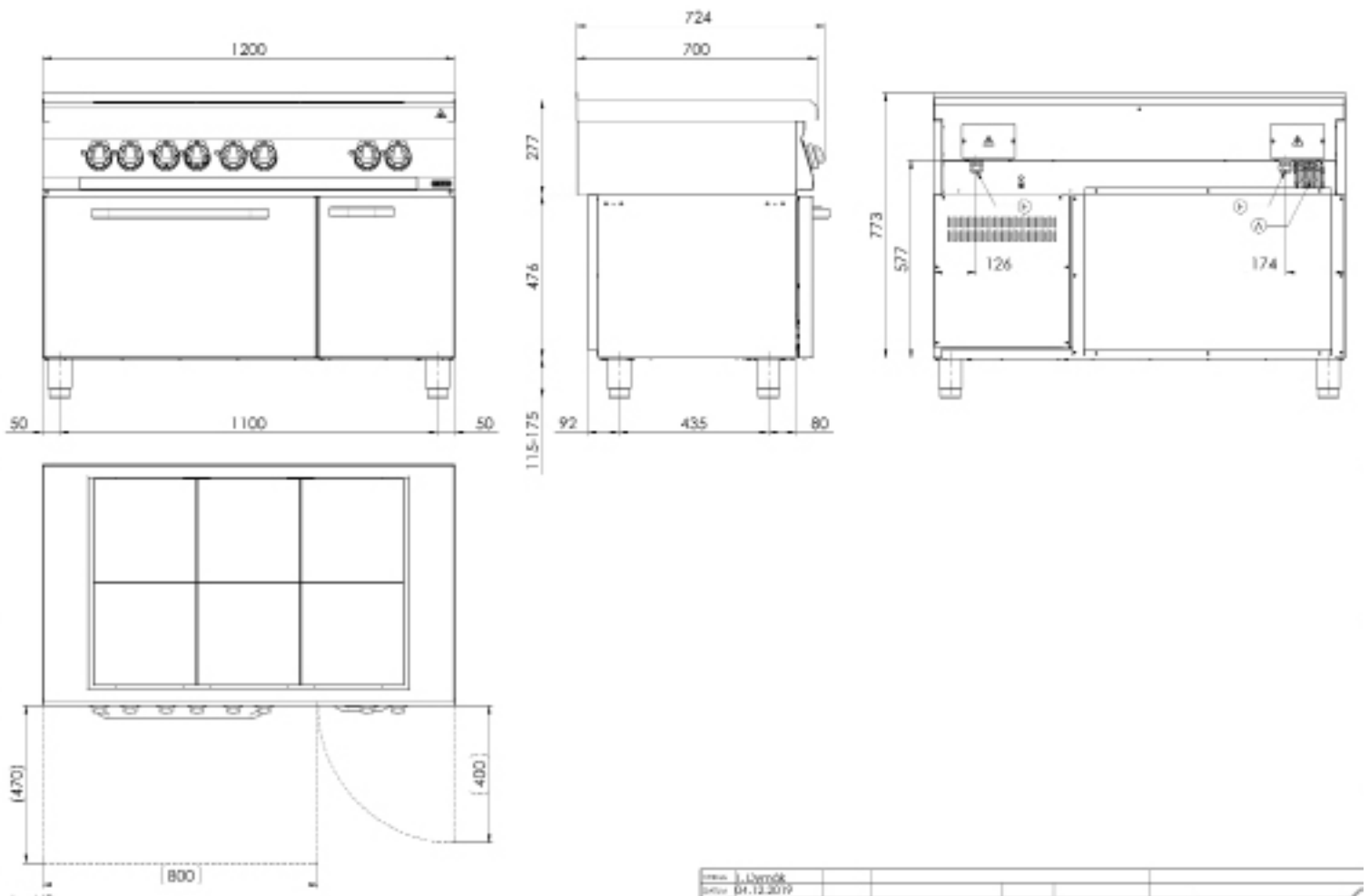
# SPLT 70/80 21 E



KRESIL:	Ľ. Dymák				
DATEM:	10.11.2020				



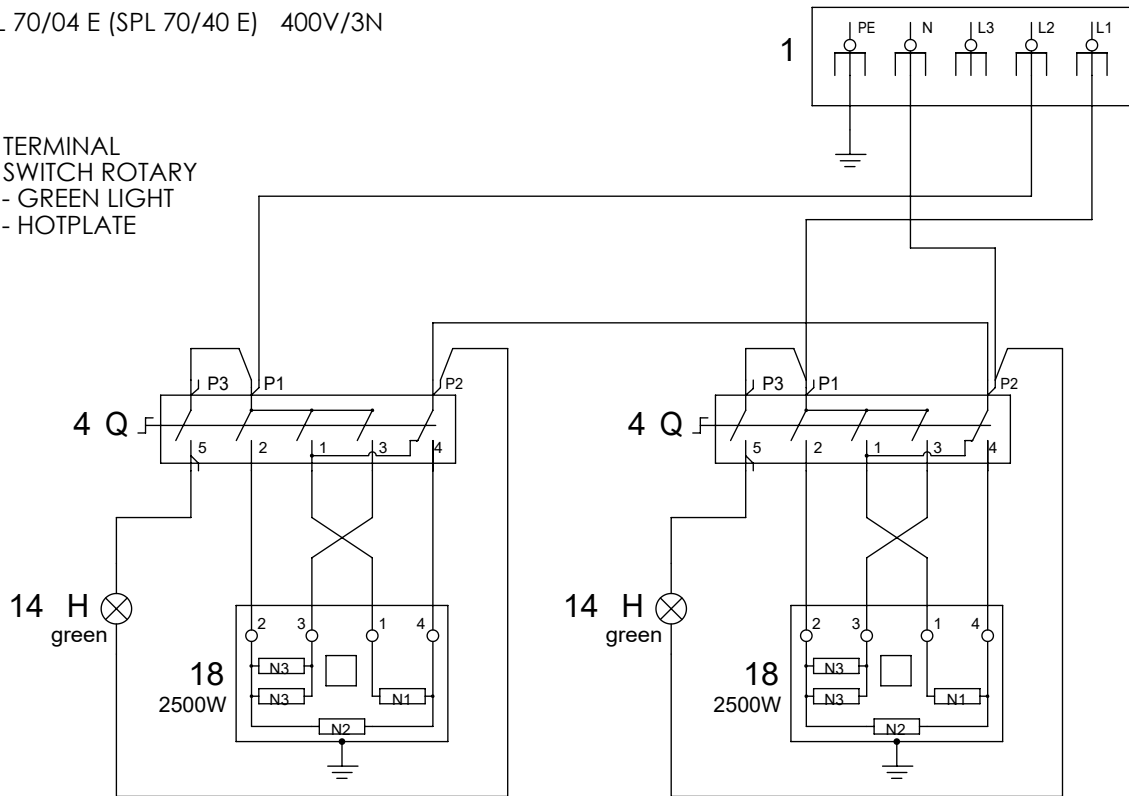
# SPLT 70/80 11 E



# SPL-70/04\_40 E

SPL 70/04 E (SPL 70/40 E) 400V/3N

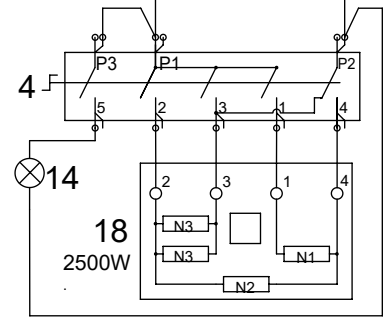
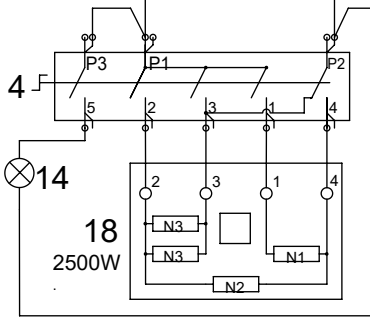
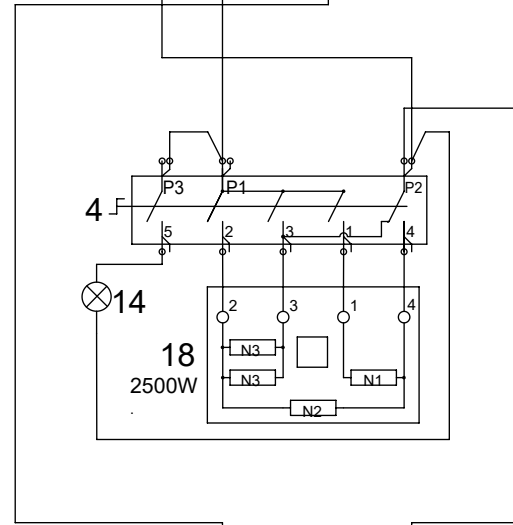
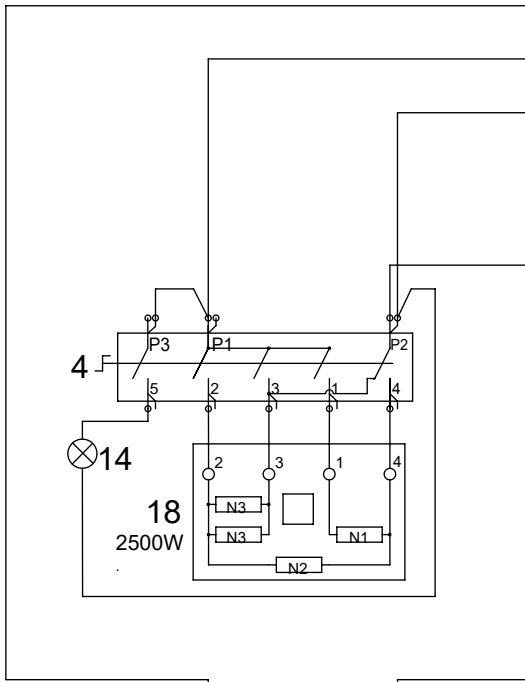
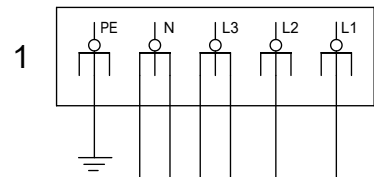
- 1 - TERMINAL
- 4 - SWITCH ROTARY
- 14 - GREEN LIGHT
- 18 - HOTPLATE



# SPL-70/08\_80 E

SPL 70/08\_80 E 400V/3N

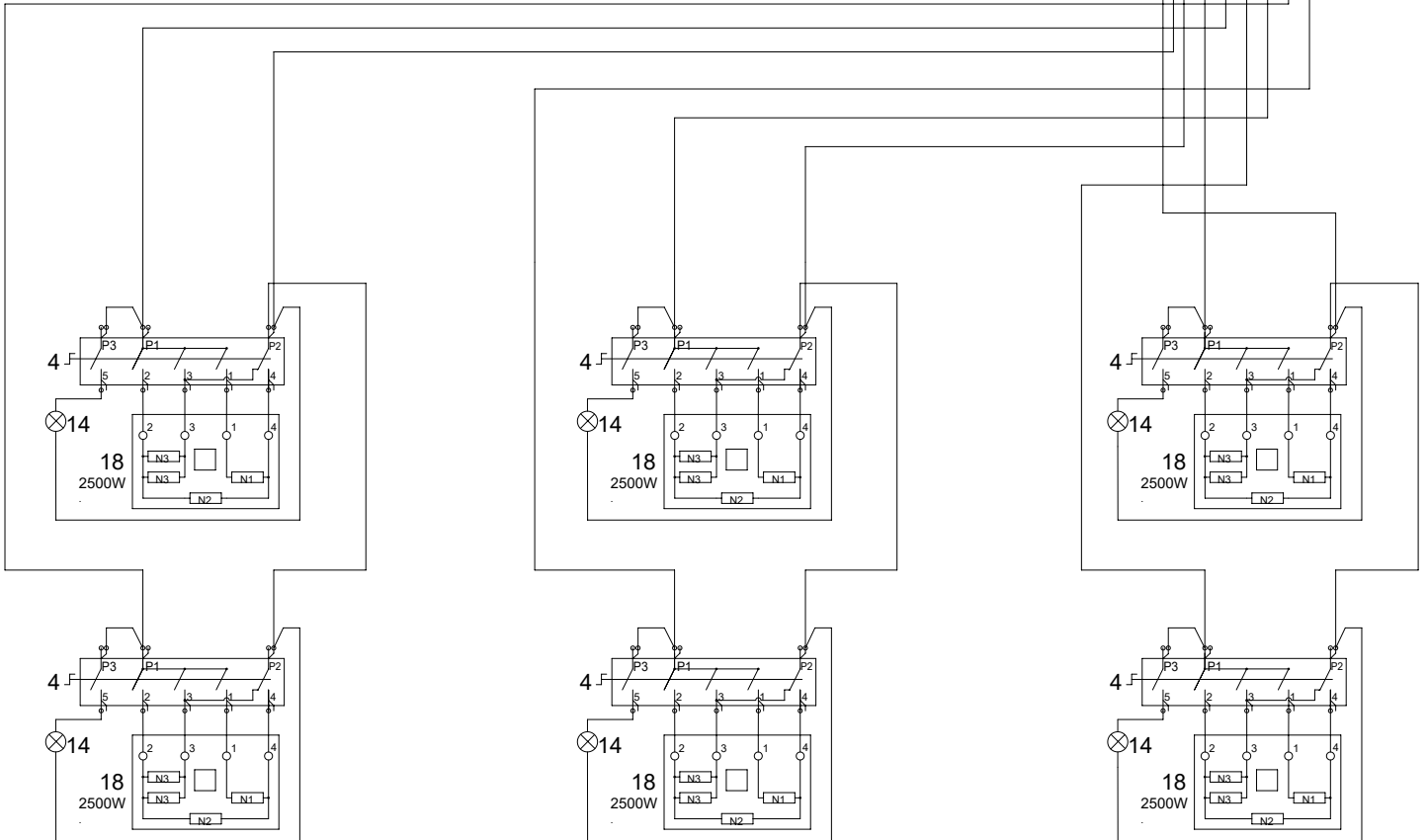
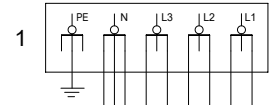
- 1 - TERMINAL
- 4 - SWITCH ROTARY
- 14 - GREEN LIGHT
- 18 - HOTPLATE



# SPL-70/012\_120 E

- 1 - TERMINAL
- 4 - SWITCH ROTARY
- 14 - GREEN LIGHT
- 18 - HOTPLATE

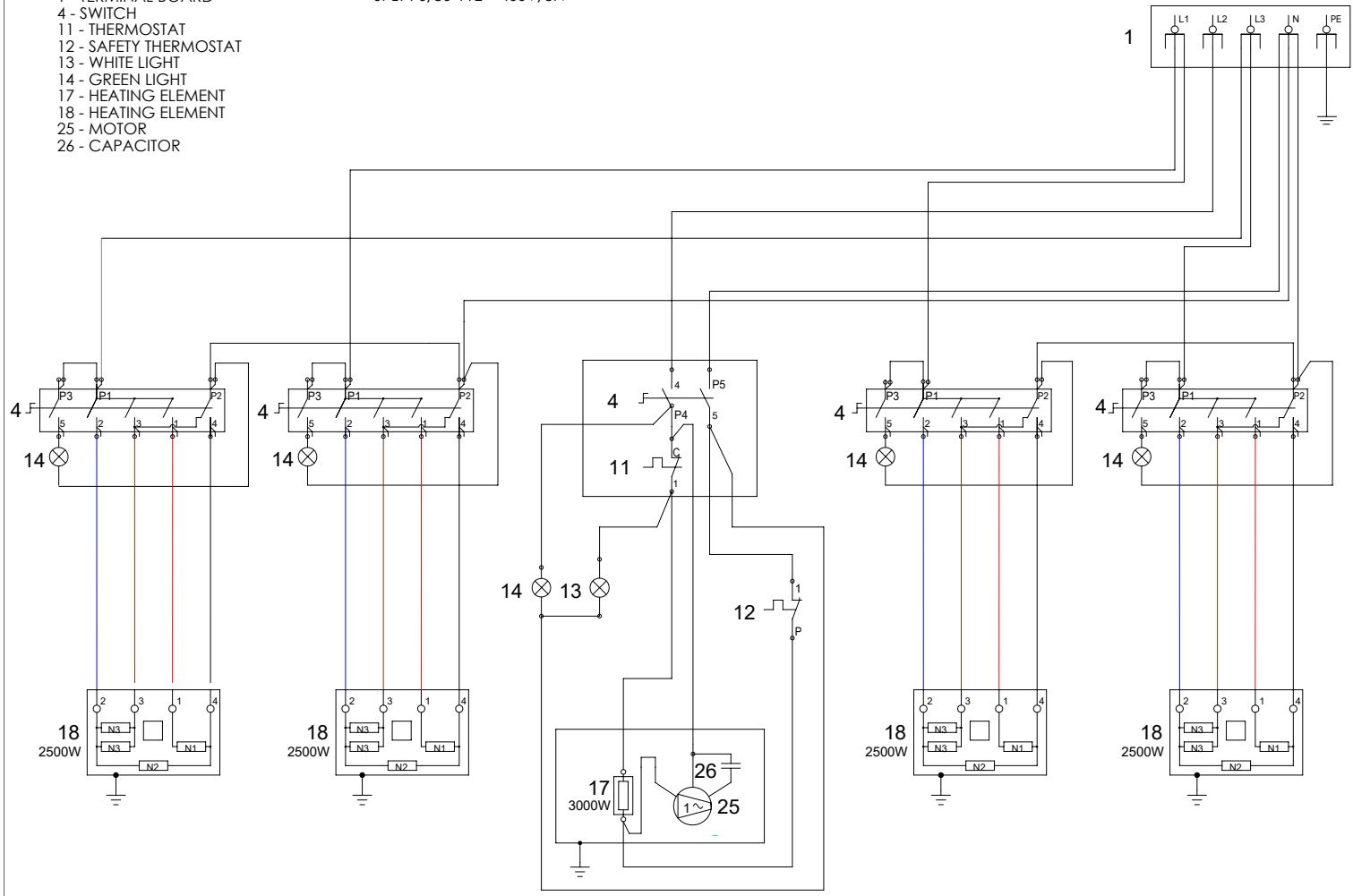
SPL 70/012\_120 E 400V/3N



# SPLT-70/80 11 E

- 1 - TERMINAL BOARD
- 4 - SWITCH
- 11 - THERMOSTAT
- 12 - SAFETY THERMOSTAT
- 13 - WHITE LIGHT
- 14 - GREEN LIGHT
- 17 - HEATING ELEMENT
- 18 - HEATING ELEMENT
- 25 - MOTOR
- 26 - CAPACITOR

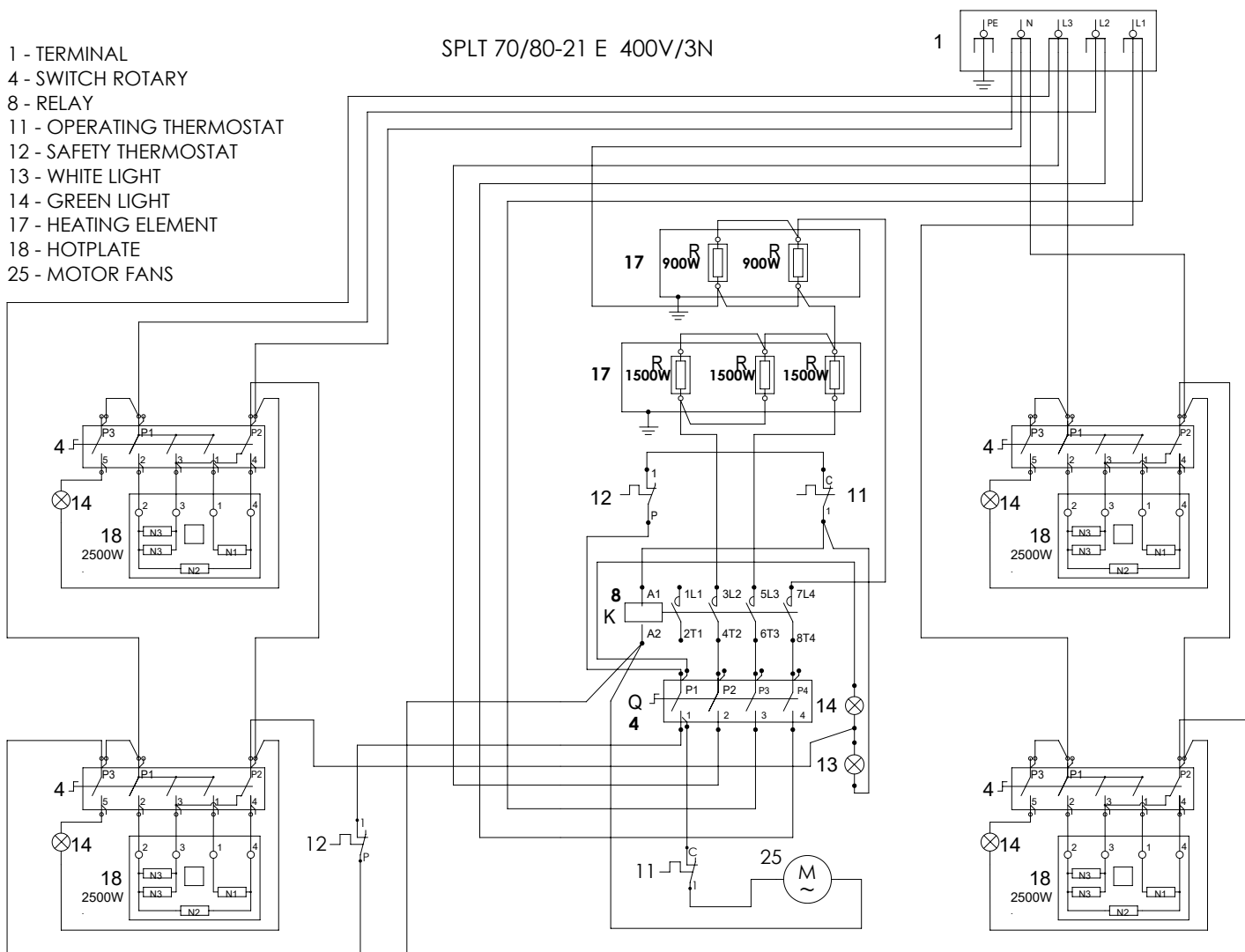
SPLT 70/80-11E 400V/3N



# SPLT-70/80 21 E

- 1 - TERMINAL
- 4 - SWITCH ROTARY
- 8 - RELAY
- 11 - OPERATING THERMOSTAT
- 12 - SAFETY THERMOSTAT
- 13 - WHITE LIGHT
- 14 - GREEN LIGHT
- 17 - HEATING ELEMENT
- 18 - HOTPLATE
- 25 - MOTOR FANS

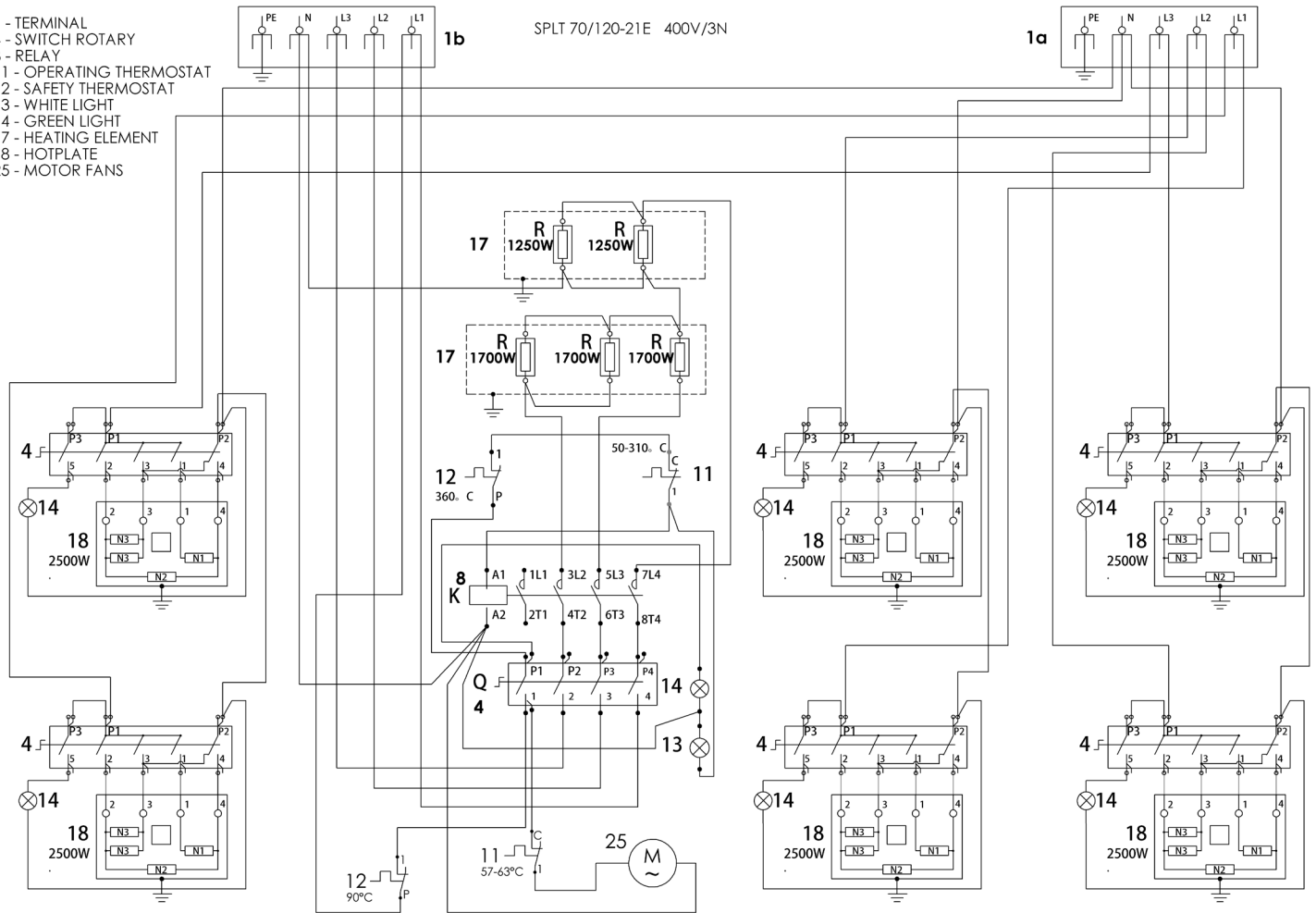
SPLT 70/80-21 E 400V/3N



# SPLT-70/120 21 E

- 1 - TERMINAL
- 4 - SWITCH ROTARY
- 8 - RELAY
- 11 - OPERATING THERMOSTAT
- 12 - SAFETY THERMOSTAT
- 13 - WHITE LIGHT
- 14 - GREEN LIGHT
- 17 - HEATING ELEMENT
- 18 - HOTPLATE
- 25 - MOTOR FANS

SPLT 70/120-21E 400V/3N



Výrobce prohlašuje, že přístroje splňují základní požadavky směrnice 2014/30/EU (nařízení vlády č. 117/2016 Sb.) a požadavky směrnice 2014/35/EU (nařízení vlády č. 118/2016 Sb.).

Pozor, výrobce se vzdává jakékoli odpovědnosti v případě přímých i nepřímých poškození, které se vztahují ke špatné instalaci, nesprávným zásahem nebo úpravami, nedostatečnou údržbou, nesprávným používáním, a které jsou eventuálně způsobeny jinými příčinami, jež uvádí body uvedené v podmínkách prodeje. Tento spotřebič je určen pouze pro odborné používání a musí být obsluhován kvalifikovanými osobami. Části, které byly po nastavení zajištěny výrobcem nebo pověřeným pracovníkem, nesmí uživatel přestavovat.

Štítek s technickými údaji je umístěn na boku či zadním panelu přístroje. Před instalací si prostudujte elektrické schéma zapojení a všechny následující informace.

Typ výrobku	Výkon plotýnek (kW)	Výkon trouby (kW)	Výkon celkový (kW)	Přívodní napětí	Rozměr (mm)	Hmotnost (kg)
SPL 70/04 E	2 x 2,5	-	5	400V / 3N	400 x 700 x 330	39
SPL 70/08 E	4 x 2,5	-	10	400V / 3N	800 x 700 x 330	74
SPL 70/012 E	6 x 2,5	-	15	400V / 3N	1200 x 700 x 330	109
SPL 70/40 E	2 x 2,5	-	5	400V / 3N	400 x 700 x 910	51
SPL 70/80 E	4 x 2,5	-	10	400V / 3N	800 x 700 x 910	90
SPL 70/120 E	6 x 2,5	-	15	400V / 3N	1200 x 700 x 910	129
SPLT 70/80 11 E	4 x 2,5	3,13	13,13	400V / 3N	800 x 700 x 910	120
SPLT 70/80 21 E	4 x 2,5	6,3	16,3	400V / 3N	800 x 700 x 910	126
SPLT 70/120 21 E	6 x 2,5	6,3	21,3	400V / 3N	1200 x 700 x 910	173

## ZÁKLADNÍ INFORMACE K ELEKTRICKÝM SPORÁKŮM

Elektrické sporáky jsou konstruovány s ohledem na maximální výkony, odolnost a trvanlivost pro nejtěžší provoz a jednoduchost, spolu se snadnou údržbou. Pro výrobu jsou používány díly vysoké kvality.

- Masivní konstrukce
- Ergonomické tvarování ovládacích prvků
- Optimalizované tvarování povrchu pro snadné čištění
- Jednoduchá obsluha
- Plášť z nerezové ocele AISI 430 a pracovní plocha AISI 304



## KONTROLA OBALU A ZAŘÍZENÍ

Zařízení opouští naše sklady v řádném obalu, na kterém jsou odpovídající symboly a označení. V obalu se nachází odpovídající návod k obsluze. Jestliže by obal měl vykazovat špatné zacházení, známky poškození, musí se okamžitě reklamovat u přepravce a to sepsáním a podepsáním protokolu o škodě. Na pozdější reklamace nebude brán zřetel.

### **Důležité upozornění**

Tento návod musí být řádně a pozorně přečten, protože obsahuje důležité informace o bezpečnostních prvcích, instalaci a použití.

- Výrobek je určen pouze k používání ve vnitřních prostorách.
- Nikdy spotřebič nepoužívejte, pokud má poškozený napájecí přívod nebo vidlici, pokud nepracuje správně, upadl na zem a poškodil se nebo spadl do vody. V takových případech zanechte spotřebič do odborného servisu k prověření jeho bezpečnosti a správné funkce
- Tato doporučení se vztahují na tento výrobek, nebo produktovou linii.
- Tento návod se musí řádně uschovat pro budoucí použití.
- Zabraňte dětem manipulovat s přístrojem.
- Při prodeji nebo přemístění je nutno se přesvědčit, že obsluha nebo odborný servis se seznámil s ovládáním a instalačními pokyny v přiloženém návodu.
- Výrobek smí obsluhovat pouze obsluha, která se seznámila s tímto návodem k použití.
- Nesmí být spuštěn bez dozoru.
- Doporučuje se kontrola odborným servisem minimálně 2x ročně.
- Při eventuální opravě nebo výměně dílů musí být použity originální náhradní díly.
- Výrobek se nesmí čistit proudem vody nebo tlakovou sprchou.
- Při poruše nebo špatném chodu výrobku je nutné odpojit veškeré přívody (voda, elektřina, plyn) a zavolat autorizovaný servis.
- Výrobce se vzdává jakékoli zodpovědnosti při poruchách způsobenými chybnou instalací, nedodržením shora uvedených doporučení, jiným užíváním apod.
- Přístroj se smí používat pouze k účelu, ke kterému je určený, jiné použití je zakázané a může vést ke vzniku nebezpečí či úrazu
- Musí být zajištěno nejpřísnější dodržování pravidel protipožární ochrany
- Za provozu a krátce po něm jsou některé části spotřebiče horké
- Je zakázáno se během provozu dotýkat jiných částí spotřebiče, než ovládacích prvků k tomu určených

## UMÍSTĚNÍ

Ke správné činnosti a umístění spotřebiče je nutné dodržet následující směrnice dle norem TPG G 704 01, ČSN 127040 a ČSN 127010.

Rozbalte přístroj a zkontrolujte, zda se přístroj nepoškodil během přepravy. Umístěte přístroj na vodorovnou plochu (maximální nerovnost do 2°). Drobné nerovnosti lze vyrovnat regulovatelnými nožičkami.

Jestliže zařízení bude umístěno tak, že bude v kontaktu se stěnami nábytku, tyto musí odolávat teplotě až 60°C. Instalaci, seřízení, uvedení do provozu musí provést kvalifikovaná osoba, která má k takovýmto úkonům oprávnění a to dle platných norem.

Přístroj může být instalován samostatně nebo v sérii s přístroji naší výroby. Je nutno dodržovat minimální vzdálenost 10 cm od hořlavých materiálů. V tomto případě je nutné zabezpečit odpovídající úpravy, aby byla zabezpečena tepelná izolace hořlavých částí.

Spotřebič se musí instalovat pouze na nehořlavém povrchu nebo u nehořlavé stěny.

**Nejmenší požadovaný průtok vzduchu z venkovního prostoru pro spotřebiče v provedení A je v rozmezí 5-20 m<sup>3</sup>/h, dle typu spotřebiče. Zaleží na instalačních předpisech pro danou zemi určení.**

**Součásti spotřebiče zajištěné výrobcem, nebo jeho zástupcem nesmí pracovník provádějící instalaci výrobku přestavovat.**

## INSTALACE



### Důležité:

Výrobce neposkytuje žádnou záruku na závady, vzniklé v důsledku nesprávného používání, nedodržování instrukcí obsažených v příloženém návodu k použití a špatným zacházením se spotřebiči.

Instalaci, úpravy a opravy spotřebičů pro velkokuchyně, tak jako i jejich demontáž z důvodu možného poškození přívodu plynu, mohou být prováděny pouze na základě smlouvy o údržbě, tato smlouva může být uzavřena s autorizovaným prodejcem, přičemž musí být dodržovány technické předpisy a normy a předpisy týkající se instalace, elektrického přívodu, plynové přípojky a bezpečnosti práce.

Technické instrukce pro instalaci a seřízení, k použití POUZE pro specializované techniky.

Instrukce, které následují, se obrací k technikovi kvalifikovanému pro instalaci, aby provedl všechny operace způsobem co nejkorektnějším a podle platných norem.

Jakákoli činnost spojená s regulací apod. musí být vykonána pouze se zařízením odpojeným ze sítě. Je - li nutno udržovat spotřebič pod napětím je nutno dbát nejvyšší opatrnosti.

Typ spotřebiče pro provedení odtahu je deklarován na typovém štítku, jedná se o spotřebiče typu A1.

## BEZPEČNOSTNÍ OPATŘENÍ Z HLEDISKA POŽÁRNÍ OCHRANY PODLE

### ČSN 061008 ČL. 21

- obsluhu spotřebiče smí provádět pouze dospělé osoby
- spotřebič smí být bezpečně používán v souladu s normami:  
ČSN 33 2000-4-482: Ochrana proti požáru v prostorách se zvláštním rizikem nebo nebezpečím  
ČSN 33 2000-4-42: Ochrana před účinky tepla

- spotřebič je nutné umístit tak, aby stál nebo visel pevně na nehořlavém podkladu

**Na spotřebič a do vzdálenosti menší než bezpečná vzdálenost od něho nesmějí být kladeny předměty z hořlavých hmot (nejmenší vzdálenost spotřebiče od hořlavých hmot je 10 cm).**

Tabulka: stupeň hořlavosti stavební hmoty zařazené do st. hořlavosti (ČSN 730823) hmot a výrobků

Stupeň hořlavosti	Stavební hmoty
A - nehořlavé	žula, pískovec, betony, cihly, keramické obkladačky, omítky
B - nesehnadno hořlavé	akumin, heraklit, lihnos, itaver
C1 - těžce hořlavé	dřevo, listnaté, překližky sirkoklit, tvrzený papír, umakart
C2 - středně hořlavé	dřevotřískové desky, solodur, korkové desky, pryž, podlahoviny
C3 - lehce hořlavé	dřevovláknité desky, polystyrén, polyureten, PVC

• informace o stupni hořlavosti běžných stavebních hmot uvádí tabulka níže. Spotřebiče musí být instalovány bezpečným způsobem. Při instalaci musí být dále respektovány příslušné projektové, bezpečnostní a hygienické předpisy dle:

- ČSN 06 1008 požární bezpečnost lokálních spotřebičů a zdrojů tepla
- ČSN 33 2000-4-482 ochrana proti požáru v prostorách se zvláštním rizikem nebo nebezpečím
- ČSN 33 2000-4-42 ochrana před účinky tepla

## PŘIPOJENÍ ELEKTRICKÉHO KABELU DO SÍTĚ

Instalace elektrického přívodu - tento přívod musí být samostatně jištěn. A to odpovídajícím jističem jmenovitého proudu v závislosti na příkonu instalovaného přístroje. Příkon přístroje zkontrolujte na výrobním štítku na zadním panelu (či boku) přístroje.

Připojený zemnicí vodič musí být delší než ostatní vodiče. Přístroj připojte přímo na síť, je nezbytné vložit mezi spotřebič a síť vypínač s minimální vzdáleností 3 mm mezi jednotlivými kontakty, který odpovídá platným normám a zatížením. Přívod uzemnění (žlutozelený) nesmí tímto spínačem být přerušen. Přístroj určený pro připojení do zásuvky, připojte do sítě pokud má zásuvka odpovídající jištění.

V každém případě přívodní kabel musí být umístěn tak, že v žádném bodě nedosáhne teploty o 50 stupňů vyšší než prostředí. Než bude spotřebič připojen do sítě, je nutné se nejprve ujistit, že:

- přívodní jistič a vnitřní rozvod snesou proudové zatížení spotřebiče (viz štítek matrice)
- rozvod je vybaven účinným uzeměním podle norem (ČSN) a podmínek daných zákonem
- zásuvka nebo vypínač v přívodu jsou dobře přístupné od spotřebiče
- elektrický přívod do zařízení musí být z olejovzdorného materiálu

**Vzdáváme se jakékoli zodpovědnosti v případě, že tyto normy nebudou respektovány a v případě porušení výše uvedených zásad.**

Před prvním použitím musíte přístroj vyčistit viz. kapitola „čištění a údržba“. Spotřebič musí být uzemněn pomocí šroubu se značkou uzemnění.



- Tato etiketa označuje uzemňovací bod zařízení



**Vidlici napájecího přívodu nezasunujte do el. zásuvky a nevytahujte z el. zásuvky mokřýma rukama a taháním za napájecí přívod!**

- **Nepoužívejte prodlužovací kabely nebo sdružené zásuvky.**
- **Přípojný bod sítě musí mít maximálně níže uvedenou impedanci ZMAX dle ČSN EN 61000-3-11:2001.  $Z_{MAX} = 0,042 + j 0,026 \Omega$  pro fázové vodiče a  $0,028 + j 0,017 \Omega$  pro nulový vodič**



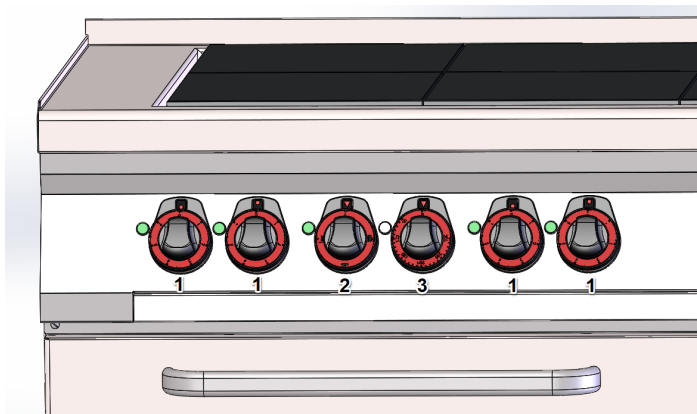
- Tato etiketa označuje nebezpečí úrazu elektrickým proudem

## NÁVOD K POUŽITÍ

Pozor! Než-li začnete přístroj používat, je nutné z celého povrchu sejmout ochranné fólie, a pak jej dobře omýt vodou se saponátem na nádobí, a poté otřít vlhkým hadrem.

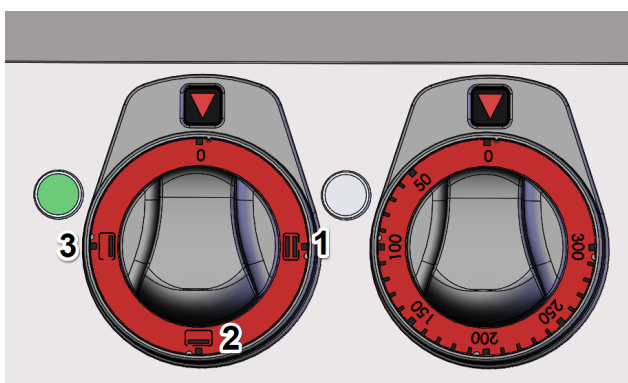
TOP výrobků je osazen hranatými plotýnkami o rozměrech 300x300mm a příkonu 2,5kW. Ovládání plotýnek je zajištěno 7polohovými přepínači (1) na předním panelu. U každého přepínače je na předním panelu zelená kontrolka signalizující zapnutí plotny. Každý přepínač plotny má samolepkou vyznačeno jakou plotnu ovládá (přední nebo zadní).

Koprus výrobku s 2/1 troubou - trouba je nahoře osazena 2ks topných těles o příkonu 0,9kW, dole je osazena 3ks topných těles s příkonem 1,5kW. V troubě je umístěno čidlo pracovního a pojistného termostatu. Pro ovládání trouby slouží 4polohový přepínač (2) pro volbu režimu trouby (spodní ohřev, horní ohřev, spodní i horní ohřev). U ovládání režimu trouby je osazena zelená kontrolka pro signalizaci zapnutí trouby. Teplota v troubě 0-300°C se ovládá knoflíkem s pracovním termostatem (3). U ovládání teploty trouby je osazena bílá kontrolka pro signalizaci nahřátí na požadovanou teplotu.



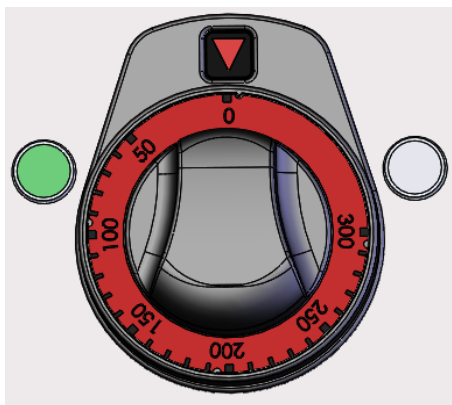
## OVLÁDÁNÍ STACIONÁRNÍ TROUBY

Přepínačem stacionární trouby si zvolíme zda-li budeme péct horními a dolními tělesy (poloha 1), nebo jen spodními (poloha 3) a nebo horními (poloha 2). Toto je signalizováno zelenou kontrolkou. Regulačním knoflíkem stacionární trouby nastavíme požadovanou teplotu. Chod topných těles je signalizován bílou kontrolkou. Po jejich zhasnutí je trouba vyhřátá na požadovanou teplotu. Troubu vypneme otočením knoflíku vlevo do polohy „0“.



## OVLÁDÁNÍ HORKOVZDUŠNÉ TROUBY


Otočením regulačního knoflíku doprava, dojde k zapnutí ventilátoru. Toto je signalizováno zelenou kontrolkou. Po dalším otočení vpravo, nastavíme požadovanou teplotu. Chod topného tělesa je signalizován bílou kontrolkou. Po jejím zhasnutí je trouba vyhřátá na požadovanou teplotu. Troubu vypneme otočením knoflíku vlevo do polohy „0“.



## ČIŠTENÍ A ÚDRŽBA

Přístroj se musí alespoň 2 x ročně překontrolovat odborným servisem. Veškeré zásahy do přístroje může provádět pouze kvalifikovaná osoba, která má k takovýmto úkonům oprávnění.

### POZOR!

 Zařízení se nesmí čistit přímou nebo tlakovou vodou. Čistěte zařízení denně. Denní údržba prodlužuje životnost a účinnost zařízení. Před započatím čištění se přesvědčte, jestli jste odpojili zařízení od elektrického proudu. Vždy vypněte hlavní přívod k zařízení. Nerezové části omyjte vlhkým hadrem se saponátem bez hrubých částic a vytřete do sucha. Nepoužívejte abrasivní nebo korosivní čisticí prostředky.

**Pozor!** Než-li začnete přístroj používat, je nutné z celého povrchu sejmout ochranné fólie, a pak jej dobře omýt vodou se saponátem na nádobí, a poté otřít vlhkým hadrem.

Jak postupovat v případě poruchy?

Vypněte elektrický (plynový) přívod a zavolejte servisní organizaci prodejce.

Záruka se navztahuje na všechny spotřební díly podléhající běžnému opotřebení ( gumová těsnění, žárovky, skleněné a plastové díly atd.). Záruka se též nevztahuje na zařízení pokud není provedena instalace v souladu s návodem – oprávněným pracovníkem dle odpovídajících norem a pokud bylo se zařízením neodborně manipulováno ( zásahy do vnitřního zařízení atd. ) nebo bylo obsluhováno nezaškoleným personálem a v rozporu s návodem k použití, dále se záruka nevztahuje na poškození přírodními vlivy či jiným vnějším zásahem.

**Přepravní obaly a zařízení po ukončení životnosti odevzdejte do sběru, dle předpisů o nakládání s odpadem a nebezpečným odpadem.**

### Čištění ztmavnutí vrchní desky

Zabarvení vrchní desky není na závadu, lze ho vyčistit prostředky na obnovu kovů a čištění příborů např. Prostředek na obnovu kovů Würth, obj.č. 08931211. Při čištění dbejte doporučení výrobce daného prostředku.

Producent poświadcza, że urządzenia są zgodne ze standardami 2014/30/EU, 2014/35/EU, przepisami nr 117/2016, 118/2016 oraz z odpowiednimi wymogami obowiązkowymi. Montaż należy wykonać zgodnie z obowiązującymi przepisami.



**Uwaga:**

producent nie bierze odpowiedzialności za bezpośrednie lub pośrednie szkody spowodowane nieprawidłowym montażem, samowolną ingerencją lub przeróbkami, niewłaściwą konserwacją lub użytkowaniem, a także z innych przyczyn spowodowanych przez elementy określone w warunkach sprzedaży. Urządzenie wymaga odpowiedniego obchodzenia i powinno być obsługiwane wyłącznie przez wykwalifikowane osoby. Części zamontowane i zabezpieczone przez producenta lub upoważnione osoby nie powinny być przerabiane przez użytkownika.

**DANE TECHNICZNE**

Tabliczka z danymi technicznymi znajduje się na boku urządzenia. Przed montażem należy zapoznać się ze schematem połączeń elektrycznych i poniższymi informacjami.

MODEL	Moc (kW)	Moc piekarnika (kW)	OGÓLNA WYDAJNOŚĆ	NAPIĘCIE (V / HZ)	WYMIARY (mm)	waga urządzenia (kg)
SPL 70/04 E	2 x 2,5	-	5	400V / 3N	400 x 700 x 330	39
SPL 70/08 E	4 x 2,5	-	10	400V / 3N	800 x 700 x 330	74
SPL 70/012 E	6 x 2,5	-	15	400V / 3N	1200 x 700 x 330	109
SPL 70/40 E	2 x 2,5	-	5	400V / 3N	400 x 700 x 910	51
SPL 70/80 E	4 x 2,5	-	10	400V / 3N	800 x 700 x 910	90
SPL 70/120 E	6 x 2,5	-	15	400V / 3N	1200 x 700 x 910	129
SPLT 70/80 11 E	4 x 2,5	3,13	13,13	400V / 3N	800 x 700 x 910	120
SPLT 70/80 21 E	4 x 2,5	6,3	16,3	400V / 3N	800 x 700 x 910	126
SPLT 70/120 21 E	6 x 2,5	6,3	21,3	400V / 3N	1200 x 700 x 910	173



## OPAKOWANIE I SPRAWDZENIE PRODUKTU

Urządzenie opuszcza zakłady odpowiednio zapakowane, właściwie oznakowane ietykietowane. Posiada również instrukcję obsługi. W przypadku, kiedy opakowanie nosioznaki niewłaściwego traktowania lub uszkodzenia, należy bezzwłocznie zgłosić ten fakt na piśmie u przewoźnika i podpisać protokół szkody.

### Ważne

Niniejsza instrukcja powinna być przeczytana z uwagą, ponieważ zawiera ważne informacje bezpieczeństwa, montażu oraz obsługi.

-Produkt nie jest przeznaczony na zewnątrz - tylko do użytku w pomieszczeniach.

-Nigdy nie używaj urządzenia, jeśli przewód zasilający lub wtyczka zostały uszkodzone; jeśli nie działa prawidłowo, spadł na ziemię i został uszkodzony, lub wpadł do wody.

W takich przypadkach należy wezwać autoryzowany serwis lub dostarczyć urządzenie do serwisu, aby było możliwe sprawdzenie bezpieczeństwa i poprawności działania.

· należy uważnie zapoznać się z niniejszą instrukcją obsługi, ponieważ zawiera ona ważne informacje dotyczące elementów bezpieczeństwa, montażu i użytkowania

· podane zalecenia odnoszą się do opisanego produktu

· niniejszy produkt jest zgodny z obowiązującymi normami

· instrukcję należy zachować do przyszłego użytku

· produkt powinien znajdować się poza zasięgiem dzieci

· w razie sprzedaży lub przeniesienia produktu w inne miejsce, należy upewnić się, że personel obsługi oraz serwisanci zapoznali się z zaleceniami dotyczącymi obsługi i instalacji podanymi w załączonej instrukcji

· urządzenie mogą obsługiwać tylko upoważnione do tego osoby

· nie należy pozostawiać włączonego urządzenia bez nadzoru

· zalecamy, aby produkt był sprawdzany przez profesjonalny serwis przynajmniej raz w roku

· w razie napraw, należy używać wyłącznie oryginalnych części zamiennych

 · produktu nie należy czyścić strumieniami wody lub ciśnieniowo

· w razie uszkodzenia lub awarii, należy odłączyć wszystkie przewody zasilające (wodne, gazowe, elektryczne) i wezwać fachowy serwis

· producent nie bierze odpowiedzialności za szkody powstałe z powodu niewłaściwego montażu, nieprzestrzegania powyższych zaleceń, użytkowania niezgodnego z przeznaczeniem, itp.

- Produkt jest przeznaczony do użytku tylko w pomieszczeniach.

Nigdy nie używaj urządzenia, jeśli przewód zasilający lub wtyczka zostały uszkodzone, jeśli nie działa prawidłowo, spadł na ziemię i został uszkodzony lub wpadł do wody. W takich przypadkach należy zanieść urządzenie do specjalistycznej służby, aby sprawdzić jego bezpieczeństwo i prawidłowe działanie

## USTAWIENIE

Do regulacji i instalacji urządzenia jest konieczne, by pomieszczenie - kuchnia - było odpowiednio wietrzona (wg istniejących norm). Jeżeli urządzenie będzie umieszczone tak, że będzie stykać się ze ścianą pomieszczenia (kuchni), musi być ściana odporna na temperaturę powyżej 60°C.

Ważne jest by po odpakowaniu urządzenia, skontrolować czy urządzenie nie zostało uszkodzone w czasie transportu. Urządzenie umieścić na poziomej powierzchni (z max nierównościami do 2°). Drobne nierówności można wyrównać za pomocą nóżek.

Urządzenie może być instalowane oddzielnie lub w serii z innymi urządzeniami naszej produkcji. Jest ważne utrzymać odległość 10 cm od materiałów łatwopalnych. W takim przypadku ważne jest dodatkowe zabezpieczenie materiałami izolującymi.

# INSTRUKCJE TECHNICZNE DOTYCZĄCE INSTALACJI I REGULACJI

## Ważne

Producent nie odpowiada za usterki, które powstały na skutek nieodpowiedniej eksploatacji urządzenia wbrew instrukcji obsługi.

Poniższe instrukcje przeznaczone są dla wykwalif kowanego pracownika autoryzowanego serwisu, aby przeprowadził instalację w poprawny sposób, zgodnie z obowiązującymi normami.

Jakakolwiek regulacja powinna być przeprowadzona przy urządzeniu odłączonym od sieci. Jeśli jednak zaistnieje konieczność regulacji w trakcie pracy urządzenia, należy zachować szczególną ostrożność.

## INSTALACJA

Instalacja, naprawy i ustawienia urządzeń do kuchni profesjonalnych i demontaż mogą być przeprowadzane tylko na podstawie umowy o utrzymywaniu. Taka umowa może być podpisana ze sprzedawcą urządzenia. Muszą być zachowane wszystkie normy i przepisy dotyczące instalacji i bezpieczeństwa pracy.

Wentylacja pomieszczenia musi być odpowiednio zaprojektowana, wg. istniejących przepisów i norm. Urządzenie może być zainstalowane samodzielnie lub w serii z innymi naszymi urządzeniami. Od ewentualnej ściany z łatwopalnego materiału musi być dotrzymany odstęp ponad 10cm.

## ŚRODKI BEZPIECZEŃSTWA ZWIĄZANE Z OCHRONĄ POŻAROWĄ

### ZGODNIE Z NORMĄ EN 061008 ART. 21

Stopień palności materiałów budowlanych sklasyfikowany według metody określania stopnia palności materiałów i produktów (EN 730823)

<b>A niezapalne</b>	granit, piaskowiec, betony, cegły, płytki ceramiczne, tynk
<b>B nietłwo zapalne</b>	akumine, heraklite, lihnos, itavere
<b>C1 trudno zapalne</b>	drewno z drzew liściastych, sklejka, sirkoklit, laminat
<b>C2 średnio zapalne</b>	płyty pilśniowe, solodure, płyty korkowe, guma, wykładziny podłogowe
<b>C3 łatwo zapalne</b>	płyty z włókien drzewnych, polistyren, poliuretan, PVC

Urządzenia należy instalować w sposób bezpieczny. Podczas montażu należy przestrzegać wymogów dotyczących projektowania, bezpieczeństwa i higieny zgodnie z:

- EN 061008 ochrona pożarowa urządzeń i źródeł ciepła
- EN 332000 (33 2000-4-482; 33 2000-4-42) otoczenie urządzeń elektrycznych

## PODŁĄCZENIE PRZEWODU ZASILAJĄCEGO

Przewód elektryczny powinien posiadać oddzielny bezpiecznik, odpowiadający mocy instalowanego pieca. Moc urządzenia należy skontrolować na tabliczce znamionowej umieszczonej na bocznej ścianie urządzenia.

Przewód uziemiający musi być dłuższy od pozostałych przewodów. Urządzenie należy podłączyć bezpośrednio do sieci. Między urządzeniem a siecią należy zamontować wyłącznik zabezpieczający zgodny z normami. Przewód uziemiający (żółto-zielony) nie może być podłączony do tego wyłącznika.

Przewód elektr. powinien być umieszczony tak, aby w żadnym punkcie nie osiągnął temp. o 50° wyższej od otoczenia. Przed podłączeniem do sieci należy sprawdzić czy:

- bezpiecznik wewn. oraz instalacja są odpowiednie do obciążenia urządz.(patrz tabl. znam.)
- instalacja posiada uziemienie zgodne z normami
- wył. zabezp. jest łatwo dostępny

**Producent nie ponosi odpowiedzialności w przypadku nie zachowania odpowiednich norm lub naruszenia w / w zasad.**

Przed użyciem, urządzenie należy wyczyścić (patrz rozdz. czyszczenie i konserwacja). Urządzenie musi być uziemione za pomocą śruby z oznaczeniem uziemienia.



- Nie wkładaj wtyczki zasilania do źródła zasilania. szuflady i nie wyciągaj z el. gniazda z mokrymi rękami i ciągnąc za zasilaczem!

- Nie używaj przedłużaczy ani gniazd.

## CZYSZCZENIE I KONSERWACJA

Zaleca się kontrolę urządzenia przez profesjonalny serwis 2 razy w roku. Wszystkie interwencje w urządzeniu może przeprowadzać tylko przeszkolona osoba, która ma wymagane do tego uprawnienia.

Uwaga! Przed rozpoczęciem używania urządzenia należy ściągnąć z całej powierzchni folię ochronną oraz przemyć urządzenie wodą z płynem do naczyń, a następnie przetrzeć wilgotną szmatką.

- Czyszczenie przede wszystkim powierzchni, która jest w kontakcie z żywnością musimy przeprowadzać codziennie i bardzo dokładnie.
- Części nierdzewnych nie wolno czyścić pastami gruboziarnistymi lub środkami agresywnymi.
- Do czyszczenia nie używać papierów ściernych.
- W razie silnego zabrudzenia powierzchni dopuszczalne jest użycie gąbki z utwardzoną powierzchnią.
- Urządzenie czyścić wyłącznie zimne - w przeciwnym wypadku grozi to oparzeniem.
- W czasie dłuższej przerwy w eksploatacji urządzeń należy je zakonserwować olejem jadalnym i wyłączyć zasilanie elektryczne.
- Urządzenia nie należy czyścić wodą pod ciśnieniem (z węża).



### **W razie awarii:**

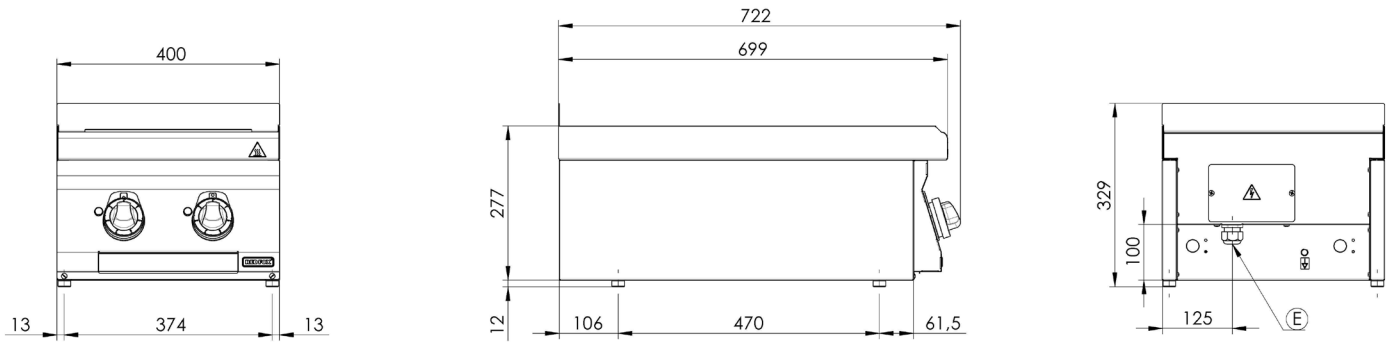
Odłączyć zasilanie elektryczne. Wezwać autoryzowany serwis.

### GWARANCJA

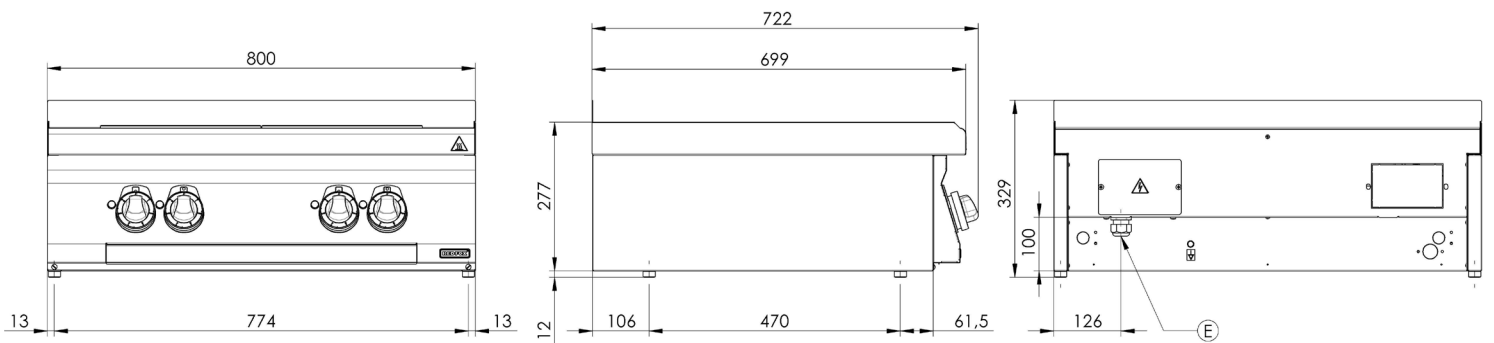
Gwarancja nie obejmuje żadnych części, które podlegają naturalnemu zużyciu (uszczelki, żarówki, części plastikowe i szklane itp.) Gwarancja nie obejmuje również urządzenia jeśli podłączone było nie zgodnie z instrukcją lub przez osoby nie posiadające odpowiednich uprawnień. Gwarancja nie obejmuje uszkodzeń spowodowanych warunkami atmosferycznymi lub przez osoby trzecie.

# ROZMĚROVÝ NÁČRTEK S PŘÍPOJNÝMI BODY RYSUNKI WYMIAROWE

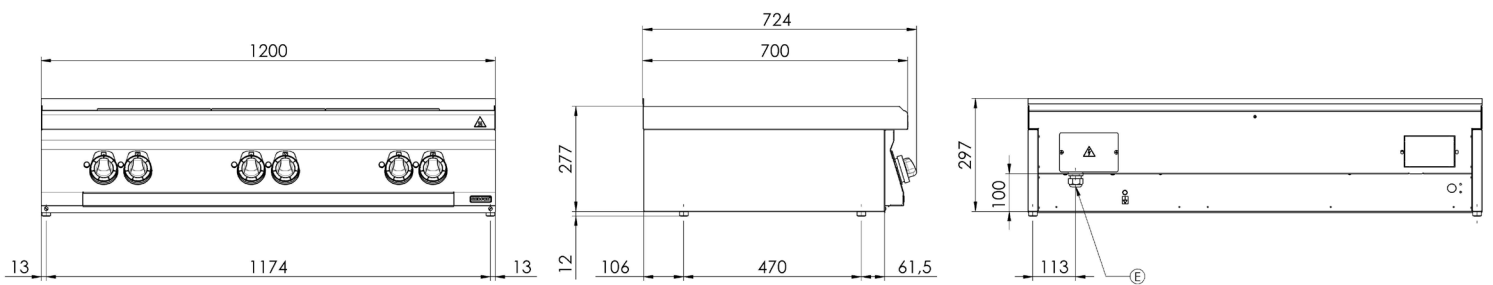
## SPL 70/04 E



## SPL 70/08 E

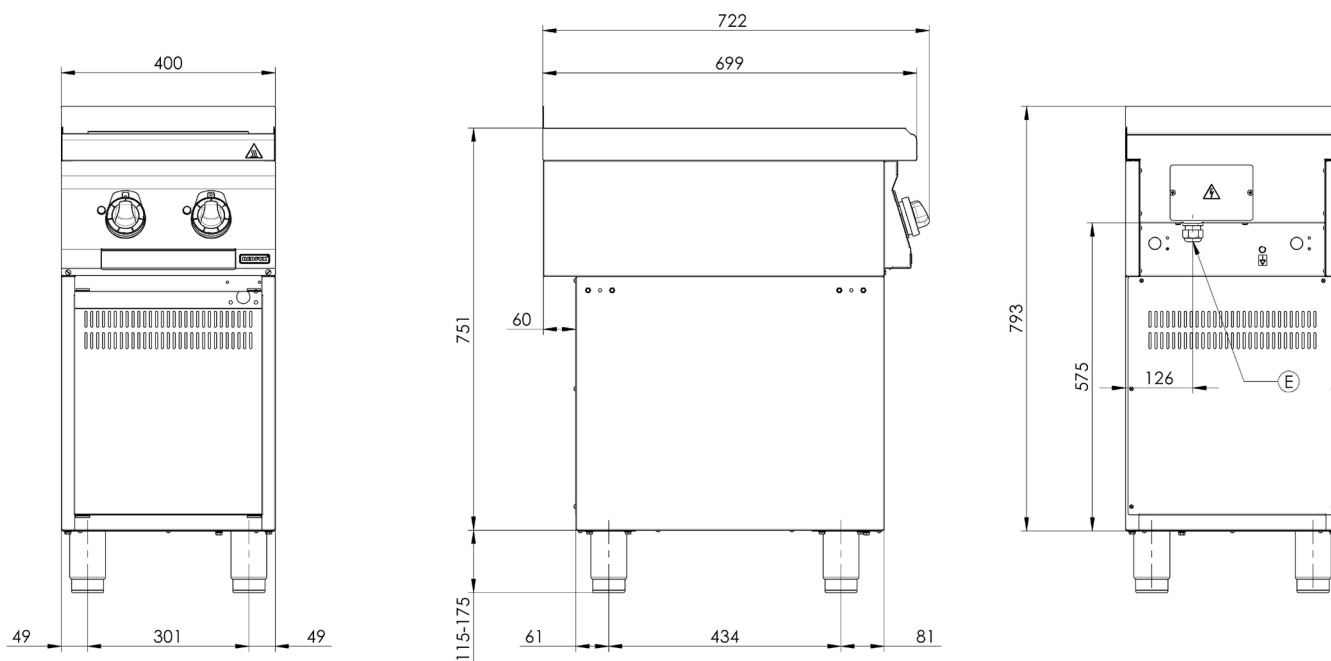


## SPL 70/012 E

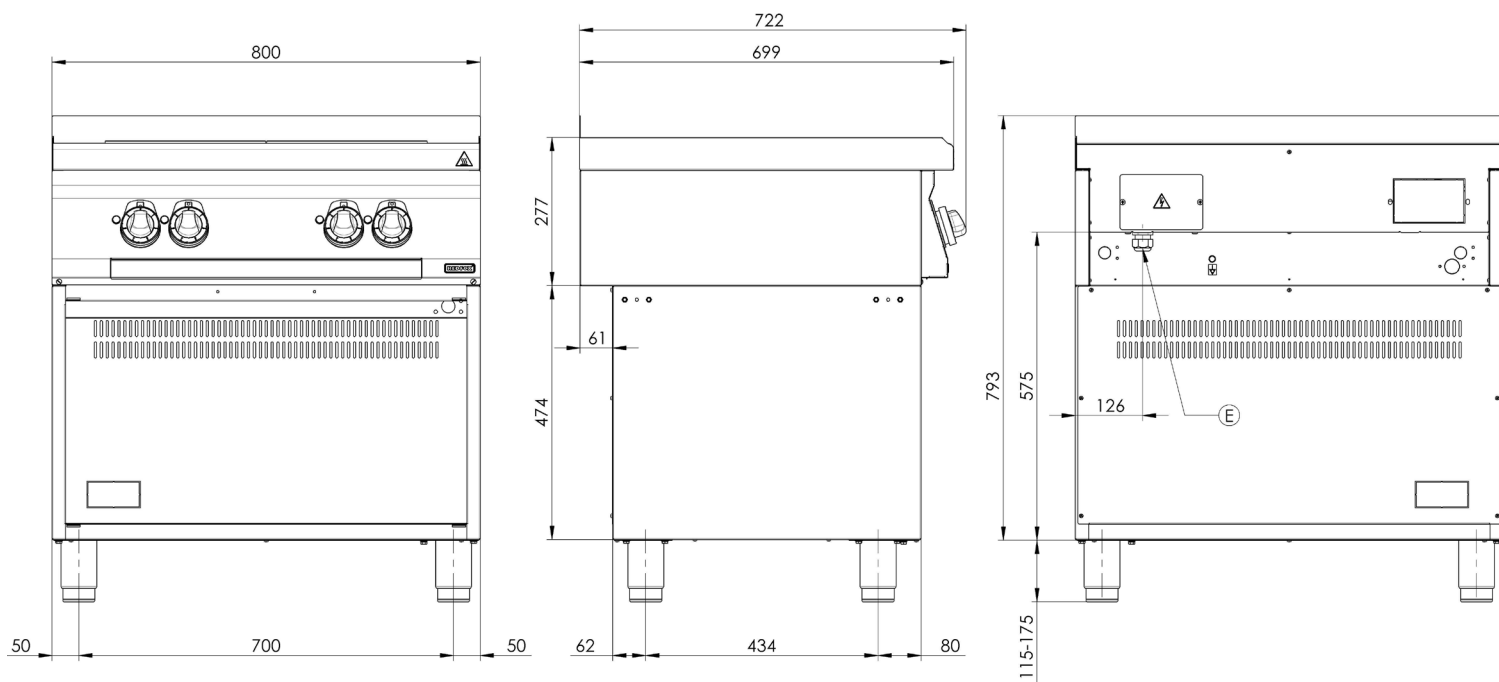


# ROZMĚROVÝ NÁČRTEK S PŘÍPOJNÝMI BODY RYSUNKI WYMIAROWE

## SPL 70/40 E

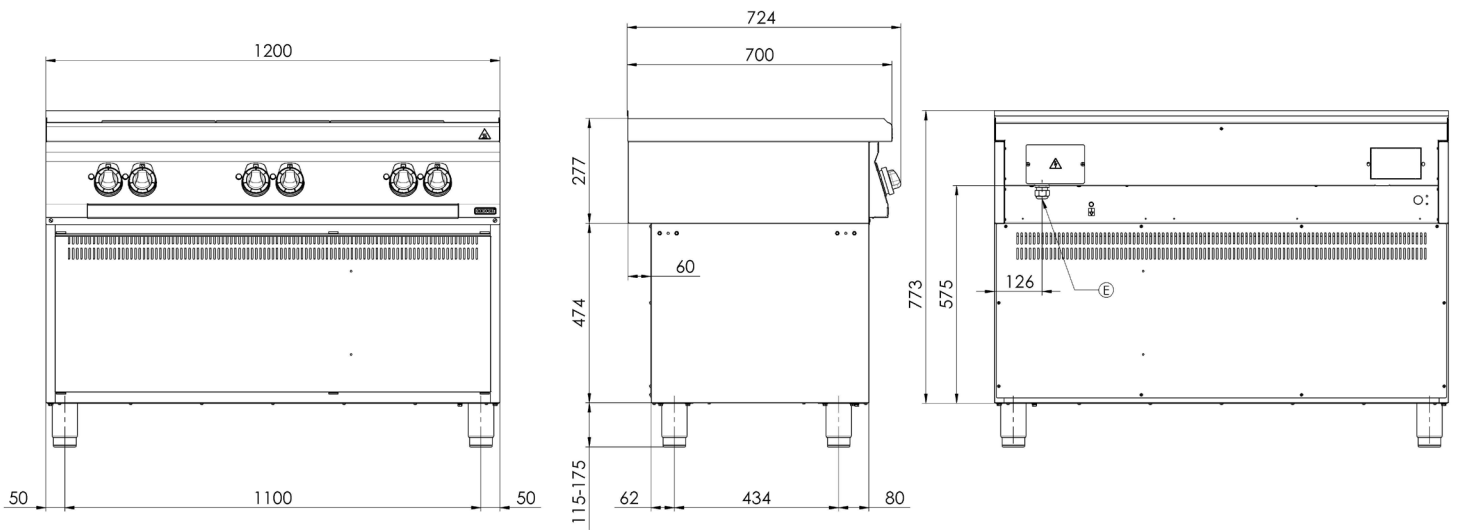


## SPL 70/80 E

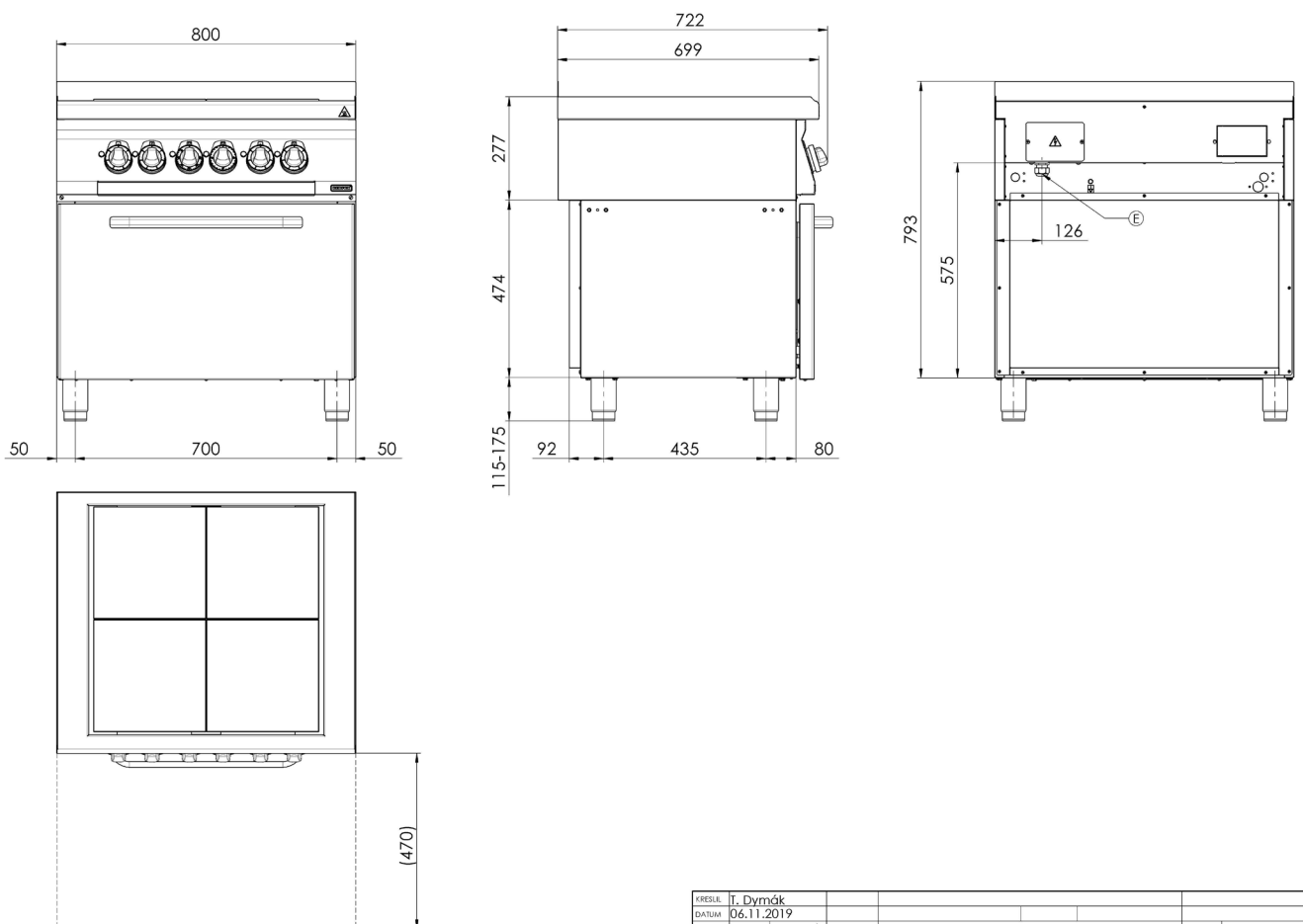


# ROZMĚROVÝ NÁČRTEK S PŘÍPOJNÝMI BODY RYSUNKI WYMIAROWE

## SPL 70/120 E



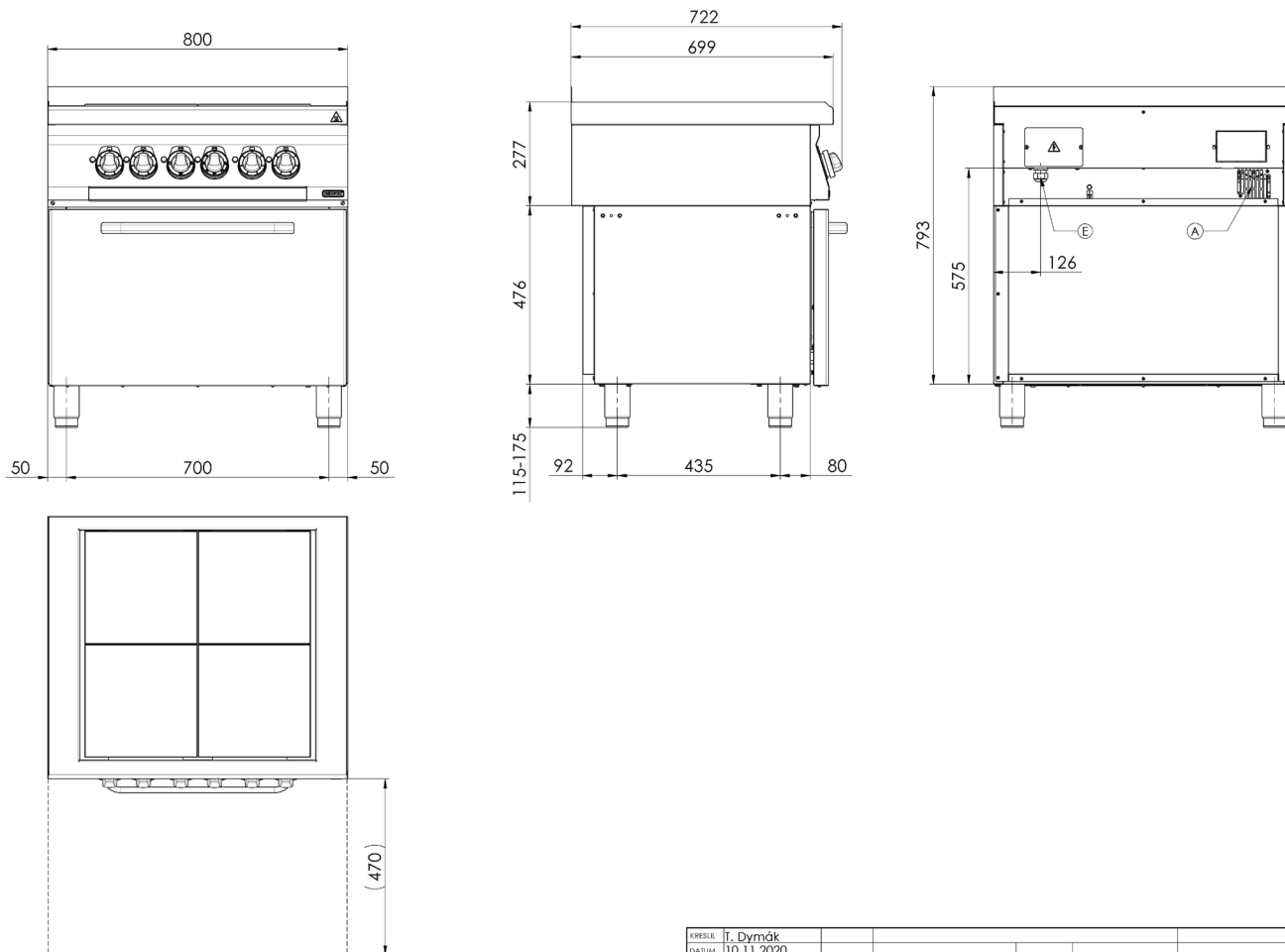
## SPLT 70/80 11 E



KRESLIL	T. Dymák				
DATUM	06.11.2019				
MĚŘITVO	1:10	ISO-E	NÁZEV	SPLT 70/80-11 E - DIMENSION PLAN	SKRATKA
					117261385

# ROZMĚROVÝ NÁČRTEK S PŘÍPOJNÝMI BODY RYSUNKI WYMIAROWE

## SPLT 70/80 21 E

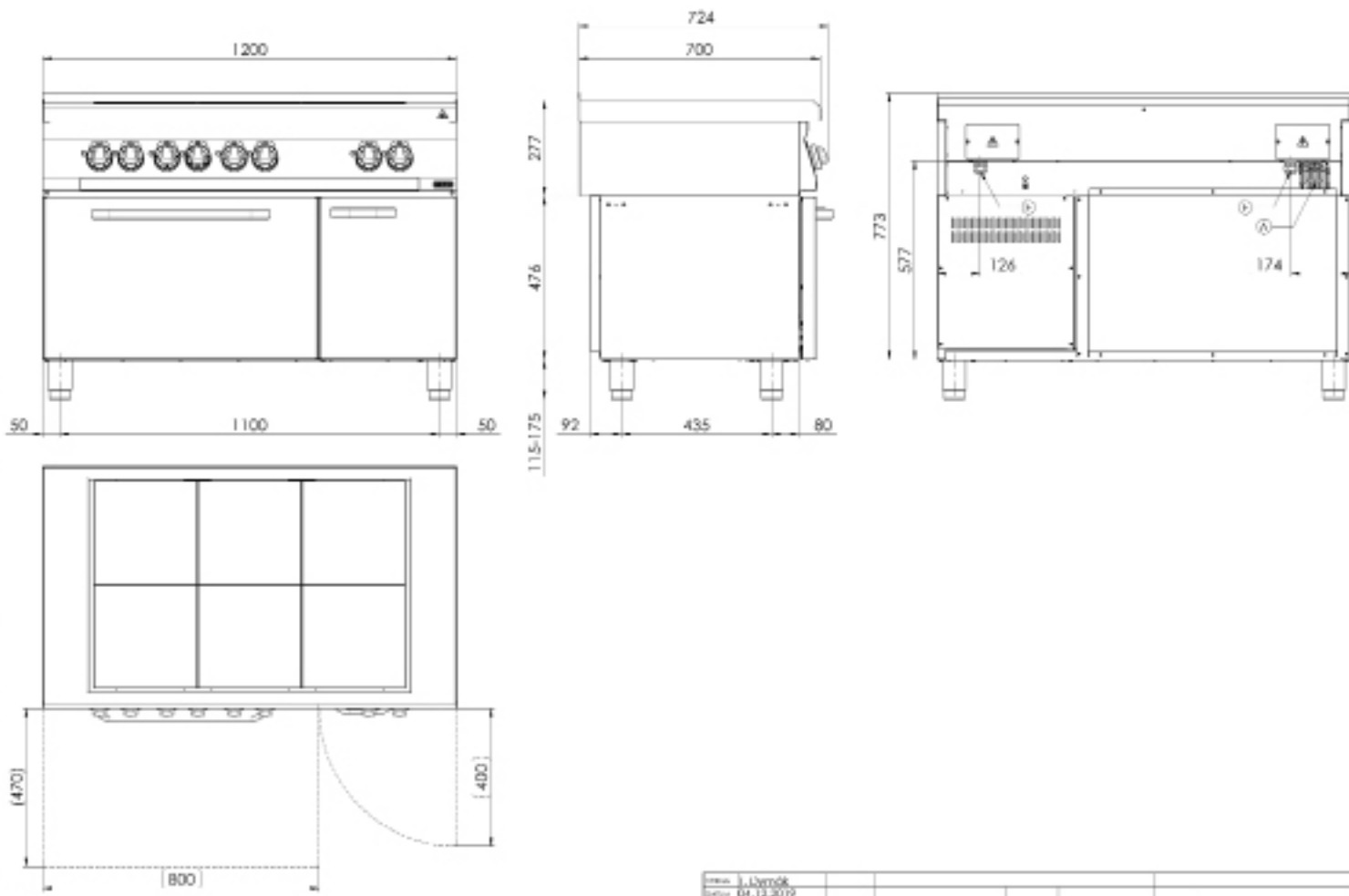


KRESIL	I. Dymák				
DATUM	10.11.2020				



# ROZMĚROVÝ NÁČRTEK S PŘÍPOJNÝMI BODY RYSUNKI WYMIAROWE

SPLT 70/80 11 E



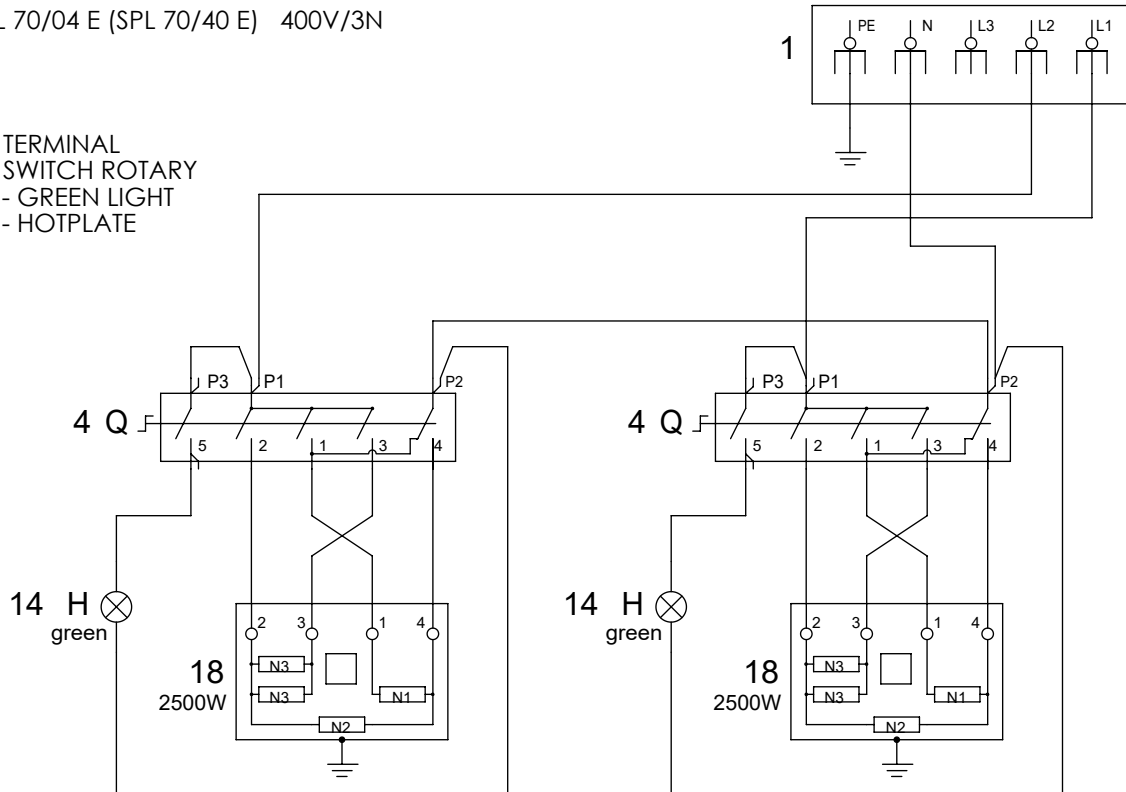
Verze: 1. úprava				
Datum: 04.12.2019				

# SCHÉMA ZAPOJENÍ SCHEMAT POŁĄCZEŃ ELEKTRYCZNYCH

## SPL-70/04\_40 E

SPL 70/04 E (SPL 70/40 E) 400V/3N

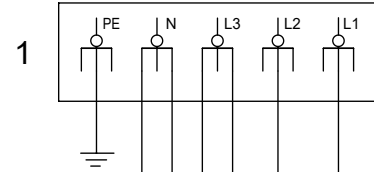
- 1 - TERMINAL
- 4 - SWITCH ROTARY
- 14 - GREEN LIGHT
- 18 - HOTPLATE



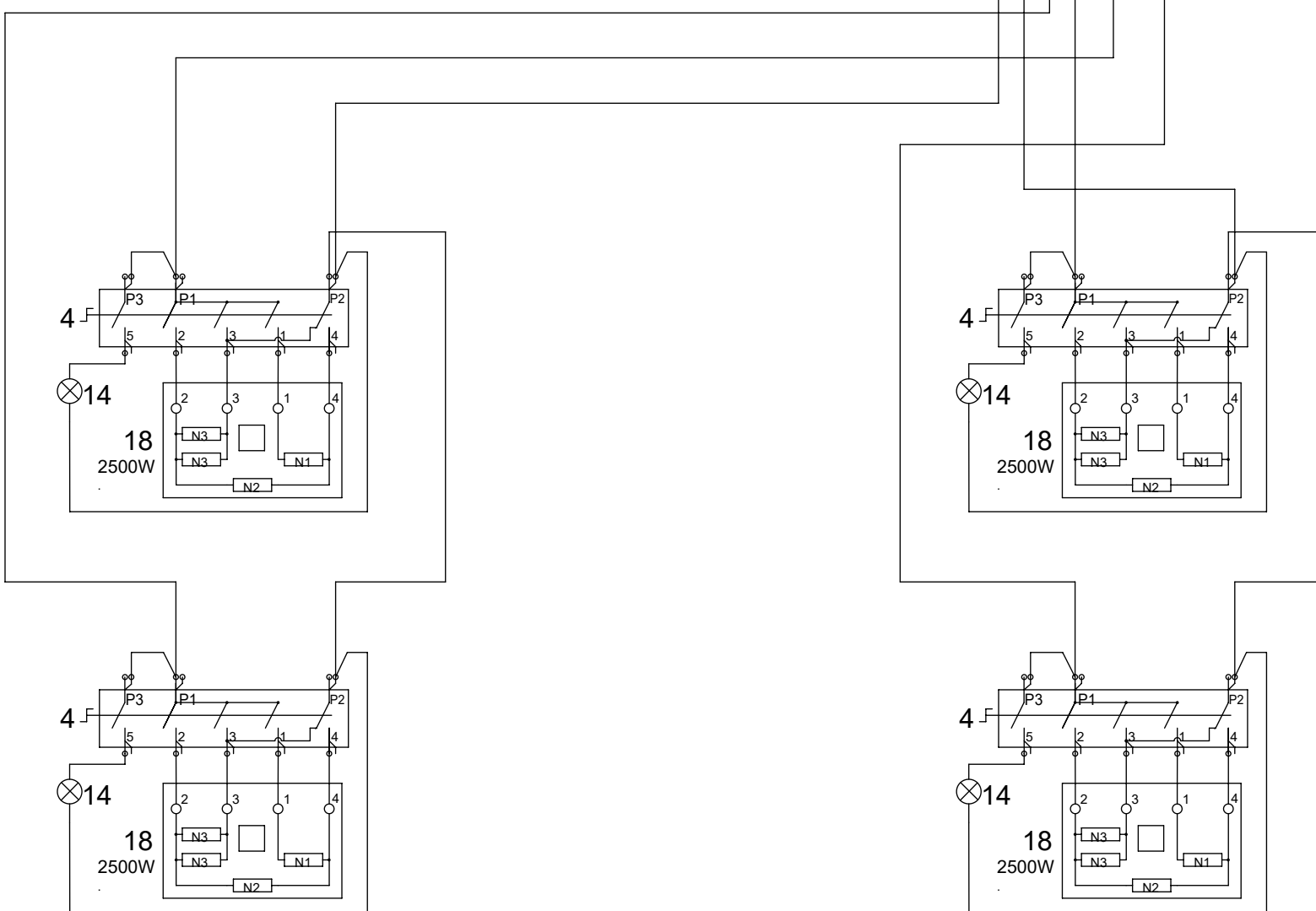
# SCHÉMA ZAPOJENÍ SCHEMAT POŁĄCZEŃ ELEKTRYCZNYCH

**SPL-70/08\_80 E**

SPL 70/08\_80 E 400V/3N



- 1 - TERMINAL
- 4 - SWITCH ROTARY
- 14 - GREEN LIGHT
- 18 - HOTPLATE

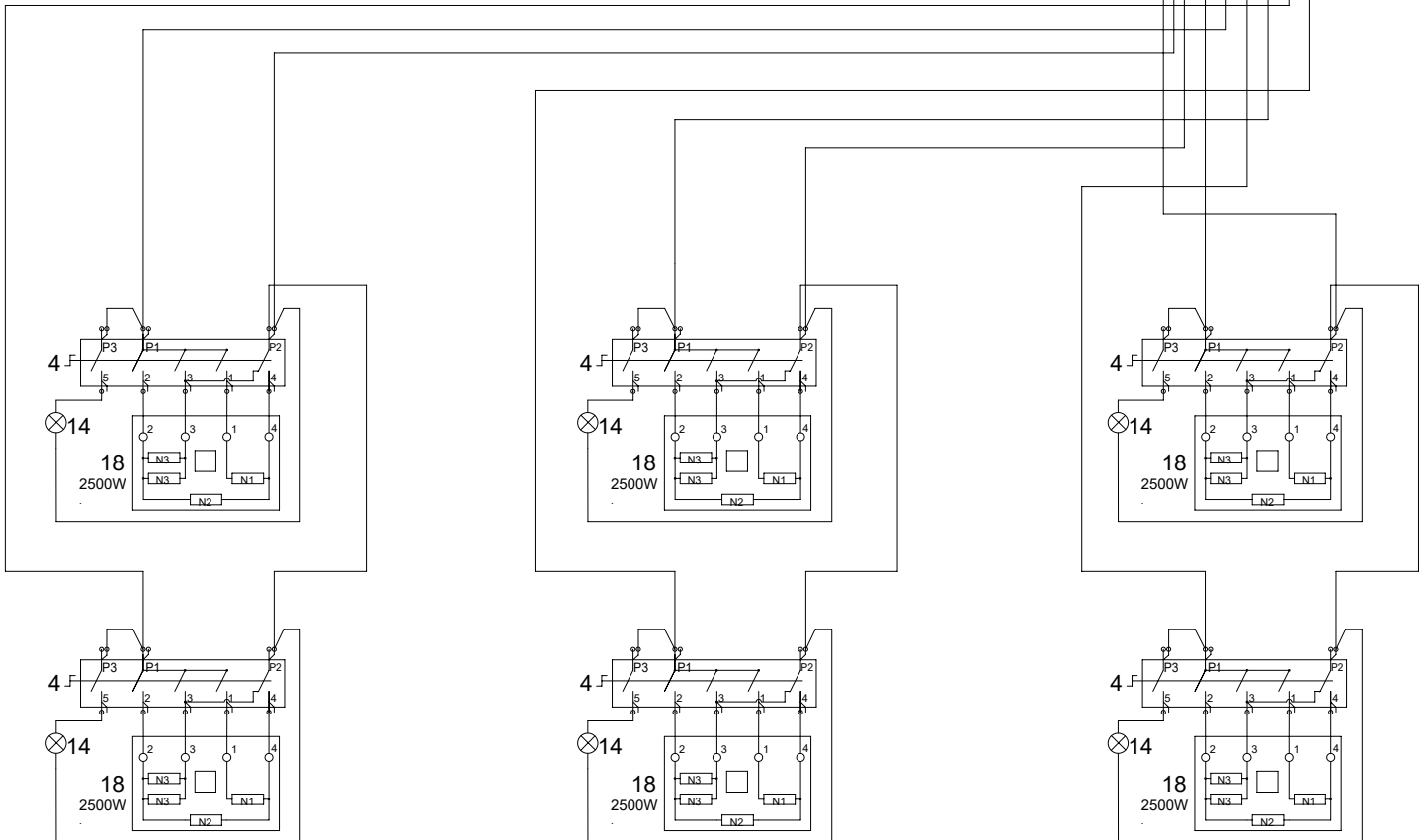
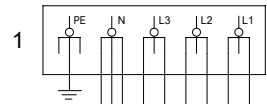


# SCHÉMA ZAPOJENÍ SCHEMAT POŁĄCZEŃ ELEKTRYCZNYCH

SPL-70/012\_120 E

- 1 - TERMINAL
- 4 - SWITCH ROTARY
- 14 - GREEN LIGHT
- 18 - HOTPLATE

SPL 70/012\_120 E 400V/3N

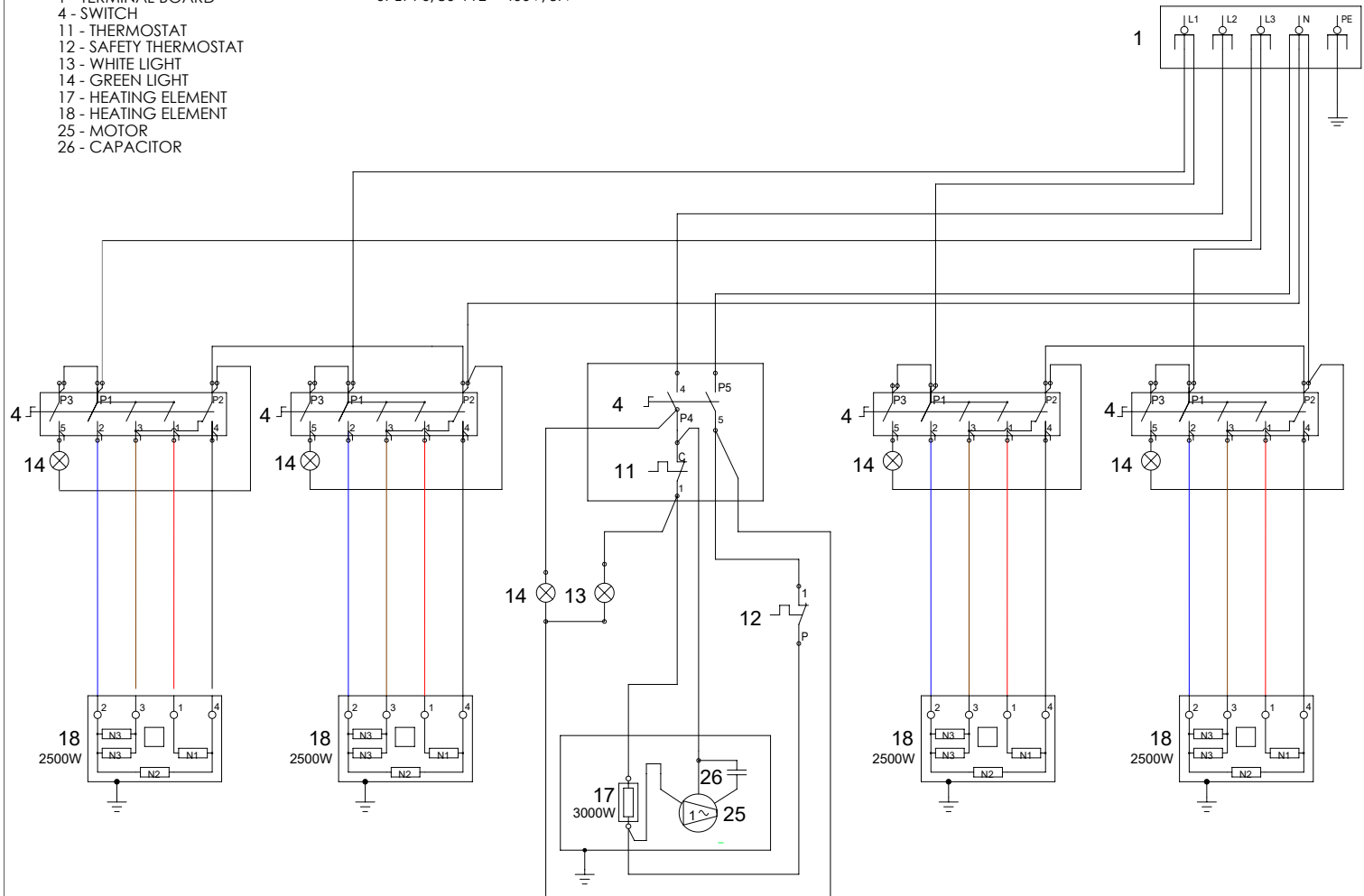


# SCHÉMA ZAPOJENÍ SCHEMAT POŁĄCZEŃ ELEKTRYCZNYCH

## SPLT-70/80 11 E

- 1 - TERMINAL BOARD
- 4 - SWITCH
- 11 - THERMOSTAT
- 12 - SAFETY THERMOSTAT
- 13 - WHITE LIGHT
- 14 - GREEN LIGHT
- 17 - HEATING ELEMENT
- 18 - HEATING ELEMENT
- 25 - MOTOR
- 26 - CAPACITOR

SPLT 70/80-11E 400V/3N

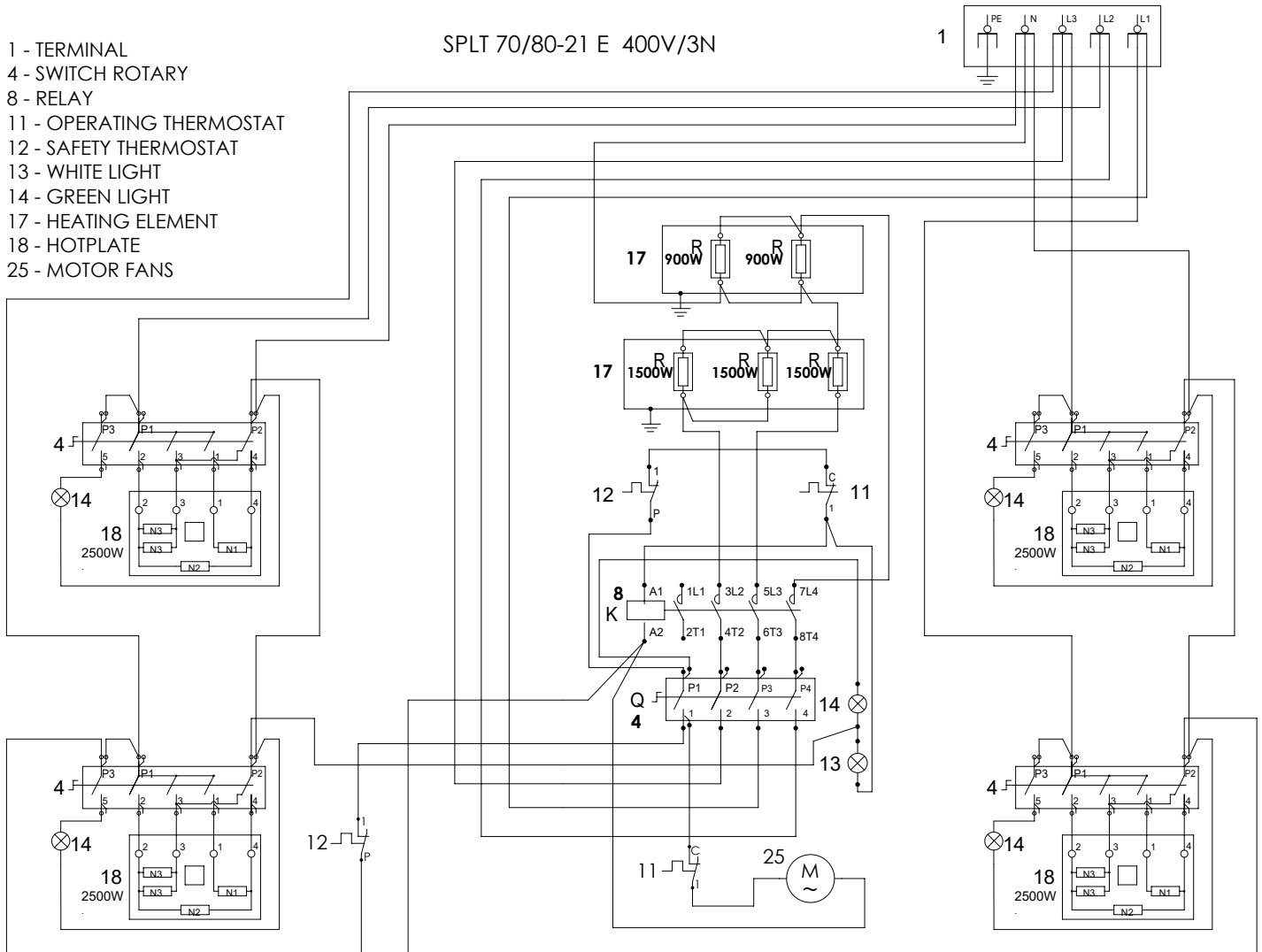


# SCHÉMA ZAPOJENÍ SCHEMAT POŁĄCZEŃ ELEKTRYCZNYCH

**SPLT-70/80 21 E**

- 1 - TERMINAL
- 4 - SWITCH ROTARY
- 8 - RELAY
- 11 - OPERATING THERMOSTAT
- 12 - SAFETY THERMOSTAT
- 13 - WHITE LIGHT
- 14 - GREEN LIGHT
- 17 - HEATING ELEMENT
- 18 - HOTPLATE
- 25 - MOTOR FANS

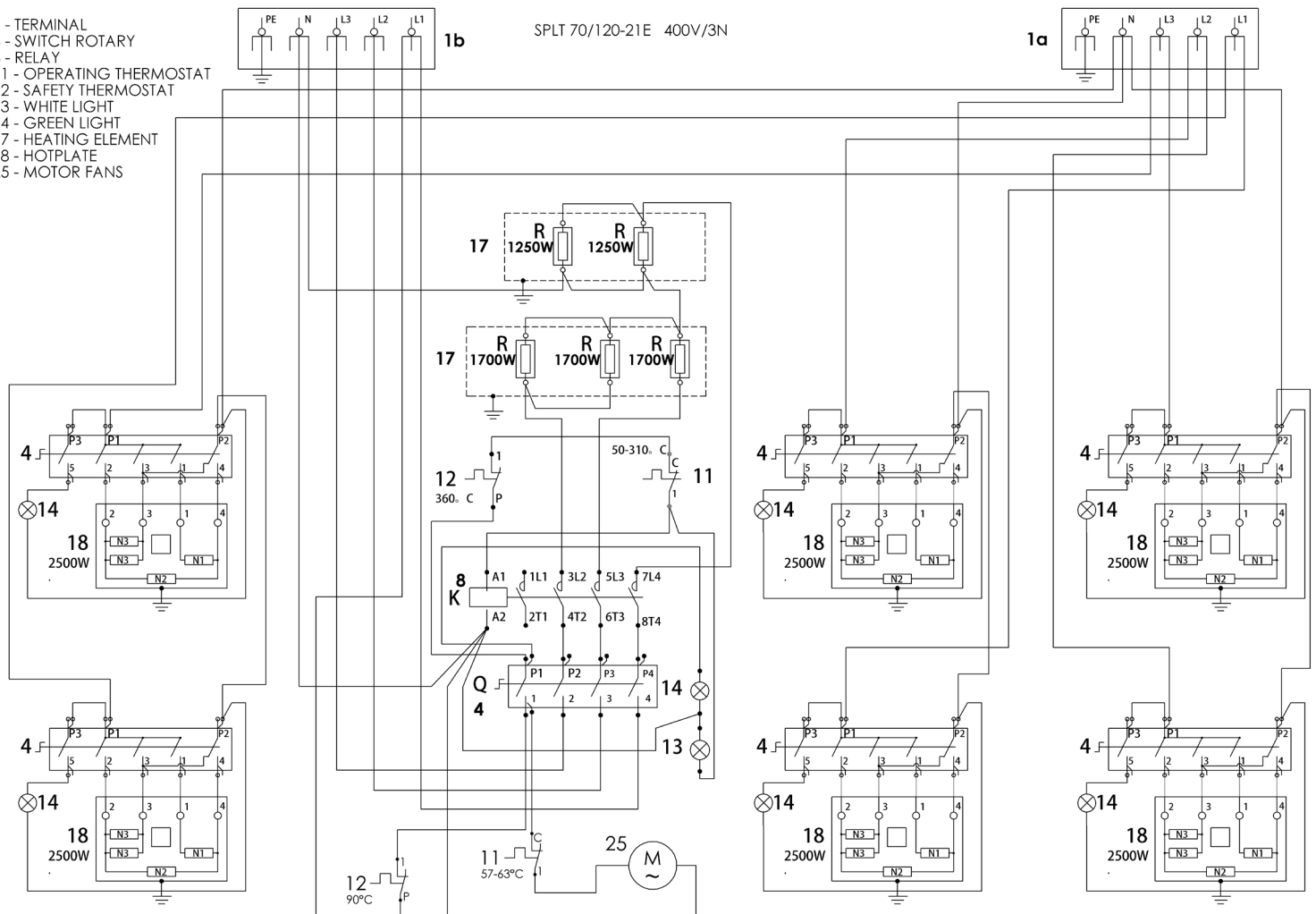
SPLT 70/80-21 E 400V/3N



# SCHÉMA ZAPOJENÍ SCHEMAT POŁĄCZEŃ ELEKTRYCZNYCH

## SPLT-70/120 21 E

- 1 - TERMINAL
- 4 - SWITCH ROTARY
- 8 - RELAY
- 11 - OPERATING THERMOSTAT
- 12 - SAFETY THERMOSTAT
- 13 - WHITE LIGHT
- 14 - GREEN LIGHT
- 17 - HEATING ELEMENT
- 18 - HOTPLATE
- 25 - MOTOR FANS



1 - svorkovnice
2 - vypínač
4 - přepínač
8 - stykač
9 - kontakty stykače
11 - termostat pracovní
12 - termostat pojistný
13 - kontrolka bílá
14 - kontrolka zelená
17 - topné těleso
18 - plotýnka
25 - motor
26 - kondenzátor

## List of service organizations:

**CZ: RM GASTRO CZ s. r. o.**, Náchodská 818/16, Praha 9

Tel. +420 281 926 604, [info@rmgastro.cz](mailto:info@rmgastro.cz), [www.rmgastro.cz](http://www.rmgastro.cz)

**SK: RM Gastro Slovakia**, Rybárska 1, Nové Město nad Váhom

Tel.: +421 32 7717061, [obchod@rmgastro.sk](mailto:obchod@rmgastro.sk), [www.rmgastro.sk](http://www.rmgastro.sk)

**PL: RM GASTRO Polska Sp. z o. o.**, ul. Skoczowska 94, 43-450 Ustroń

Tel.: +33 854 73 26, [www.rmgastro.pl](http://www.rmgastro.pl)